

A world map composed of a grid of small grey dots, with a few red dots scattered across the continents.

SOFTWARE VERSION 2.1

WWW.PRГ.COM

BAD BOY® SPOT LUMINAIRE

USER MANUAL

AutoPar®, Bad Boy®, Best Boy®, Followspot Controller™, Mbox®, Mini Node™, Nocturne®, Series 400®, ReNEW®, Super Node™, V476®, V676®, and Virtuoso® are trademarks of Production Resource Group, LLC, registered in the U.S. and other countries.

All other brand names which may be mentioned in this manual are trademarks or registered trademarks of their respective companies.

This manual is for informational use only and is subject to change without notice. Please check www.prg.com for the latest version. PRG assumes no responsibility or liability for any claims resulting from errors or inaccuracies that may appear in this manual.

Bad Boy® Spot Luminaire User Manual

Version as of: March 23, 2015

PRG part number: 02.9812.0001 H

Production Resource Group, LLC
Dallas Office
8617 Ambassador Row, Suite 120
Dallas, Texas 75247
www.prg.com

FOREWORD

Compliance Notice

This device complies with Part 15 of the FCC rules. Operation is subject to the following two conditions: 1) This device may not cause harmful interference, and 2) This device must accept any interference received, including interference that may cause undesired operation.

Conforms to:

UL STD 1573

Certified to:

CAN/CSA STD E598-1

CAN/CSA STD E598-2-17



Safety Notice

It is extremely important to read ALL safety information and instructions provided in this manual and any accompanying documentation before installing and operating the products described herein. Heed all cautions and warnings during installation and use of this product.

Safety symbols used throughout this manual are as follows:



CAUTION advising of potential damage to product.



WARNING advising of potential injury or death to persons.

GENERAL INFORMATION PERTAINING TO PROTECTION AGAINST ELECTRICAL SHOCK, FIRE, EXPOSURE TO EXCESSIVE UV RADIATION, AND INJURY TO PERSONS CAN BE FOUND BELOW.

WARNING: INSTRUCTIONS FOR CONTINUED PROTECTION AGAINST FIRE

- 1) PRG luminaires have been designed for use only with specific lamps. Note lamp type before replacing. Installing another type of lamp may be hazardous.
- 2) PRG luminaires may be mounted on any type of surface as long as mounting instructions are followed. See instructions detailed in this manual.
- 3) Replace fuses with same type and rating only.
- 4) Minimum distance from head to any flammable object is 2m.

WARNING: INSTRUCTIONS FOR CONTINUED PROTECTION AGAINST ELECTRICAL SHOCK

- 1) PRG luminaires are designed for dry locations only. Exposure to rain or moisture may damage luminaire.
- 2) Disconnect power before servicing any PRG equipment.
- 3) Servicing to be performed by qualified personnel only.

WARNING: INSTRUCTIONS FOR CONTINUED PROTECTION AGAINST EXPOSURE TO EXCESSIVE ULTRAVIOLET RADIATION

- 1) PRG luminaires may use an HID type lamp which produces UV radiation. DO NOT look directly at lamp.
- 2) It is hazardous to operate luminaires without complete lamp enclosure in place or when lens is damaged. Lenses or UV shields shall be changed if they have become visibly damaged to such an extent that their effectiveness is impaired.



WARNING: INSTRUCTIONS FOR PROTECTION AGAINST INJURY TO PERSONS

- 1) Exterior surfaces of the luminaire will be hot during operation. Use appropriate safety equipment (gloves, eye protection, etc.) when handling and adjusting hot equipment and components. Service and maintenance should be performed only by qualified personnel as determined by the high pressure lighting fixture manufacturer.
- 2) Arc lamps generate intense heat. Disconnect power and allow lamp to cool for 5 minutes before relamping.
- 3) Arc lamps emit ultraviolet radiation which can cause serious skin burn and eye inflammation. Additionally, arc lamps operate under high pressure at very high temperatures. Should the lamp break, there can exist a danger of personal injury and/or fire from broken lamp particles being discharged.
- 4) The lamp shall be changed if it has become damaged or thermally deformed.
- 5) If lamp is touched with bare hands, clean lamp with denatured alcohol and wipe with lint-free cloth before installing or powering up the luminaire.
- 6) Serious injury may result from the generation of ozone by this lamp system. A proper means of venting must be provided.

Notes de sécurité

Avant de procéder à l'installation des produits décrits dans ce guide et de les mettre en marche, il est extrêmement important de lire TOUS les renseignements et TOUTES les directives de sécurité contenues dans ce guide ainsi que toute documentation jointe. Tenir compte de tous les avertissements et suivre toutes les précautions pendant l'installation et l'utilisation de cet appareil.

Les symboles de sécurité utilisés dans ce guide sont les suivants :



ATTENTION Ce symbole annonce que l'appareil risque d'être endommagé.



AVERTISSEMENT Ce symbole annonce qu'il y a risque d'accident grave ou même fatal.

CETTE SECTION CONTIENT DES INFORMATIONS GÉNÉRALES POUR SE PROTÉGER CONTRE LES DÉCHARGES ÉLECTRIQUES, LES INCENDIES, L'EXPOSITION EXCESSIVE AUX RAYONS UV ET TOUT AUTRE ACCIDENT POUVANT ENTRAÎNER DES BLESSURES.

AVERTISSEMENT: RISQUE D' EXPLOSION.

- 1) Le service et le maintenance ne devront être assurés que par des personnes qualifiées comme précisé par le fabricant des lampes à haute pression.
- 2) Des vêtements de protection et les procédures précisées dans le manuel du fabricant doit être fournies.

AVERTISSEMENT: RÉGLAGE DES LAMPES

- 1) Chaleur intense. Débrancher le matériel et laisser refroidir pendant 5 minutes avant de rallumer.
- 2) Risque d'incendie. N'utilise que des Philips MSR Gold™ FastFit Lamp.

AVERTISSEMENT: DIRECTIVES POUR SE PROTÉGER CONTRE UNE EXPOSITION EXCESSIVE AUX RAYONS UV

- 1) Risque d'explosion en cas de radiation ultraviolet imprantes.
- 2) Ne pas intervenir en l'absence de confinement de la lampe en place ou quand la lentille est abîmée.

AVERTISSEMENT: DIRECTIVES POUR SE PROTÉGER CONTRE LES ACCIDENTS POUVANT ENTRAÎNER DES BLESSURES

- 1) Chaleur intense. Eviter tout contact avec des personnes ou des tissus. Attention, de graves blessures peuvent résulter de production d'ozone par cette lampe. Un système de ventilation adapté doit être fournies
- 2) La température de surface = 300.c
La temperature de l'ambiance = 50.c
- 3) Ne convient pas pour un usage résidentiel.
- 4) Utilisable seulement dans les locaux secs.



Revision History

This manual has been revised as follows:

Version	Release Date	Notes
BASIC	February 27, 2009	Software version 1.0. Initial release.
A	May 21, 2009	Software version 1.1. Updated menu system, spin mode values, and troubleshooting chart. Added Bypass Calibration, Gobo Set Zero Position, and Software Update procedures.
B	July 9, 2009	Added additional hanging instructions, photometrics, and power consumption chart. Updated various menu and operational details.
C	December 15, 2009	Software version 1.5. Updated menu system and maintenance cleaning procedures. Added Group Test instructions, Comm Loss setting, new control channel options, and optional follow spot operation.
D	March 24, 2010	Software version 1.6. Includes functionality for CMY version. Added CMY luminaire information where applicable.
E	October 18, 2010	Revised lamp warm-up specification from 840W to 750W. Added Designer Color and Gobo Wheel standard configurations to Description section. Updated book format.
F	January 5, 2011	Corrected configuration of the Designer Color Wheel standard positions in Description section.
G	May 23, 2014	Corrected part numbers for Upper Enclosure Intake and Exhaust Covers in Maintenance section.
H	March 23, 2015	Updated for software version 2.13. Removed references to the Quantum version. (All Bad Boy Spot Luminaires have been converted to the CMY version.)

TABLE OF CONTENTS

Introduction

About This Manual.....	1
Additional Documentation.....	1
Customer Service.....	2
Gobo Art Submission Guidelines.....	2

Chapter 1. Description

Features

Overview.....	4
---------------	---

Components

Included Items.....	5
Replacement Items and Accessories.....	5
Major Components and Controls.....	6
Designer Color Wheel Standard Configuration.....	7
Standard Gobo Wheel Configuration.....	8
About Moiré Gobos.....	8

Chapter 2. Installation

Power and Data Cabling Requirements

Power.....	10
Data.....	10
DMX512 Cables.....	10
DMX512 Male Termination Connector.....	12
Ethernet Cables.....	12

Installation Procedures

Unpacking and Attaching Hanging Brackets.....	13
Standard Hang.....	14
Vertical "Yoke Out" Hang.....	16
Standing Position.....	18
Connecting Power and Data.....	19

Power Up and Basic Setup Procedures

Powering Up the Luminaire.....	21
Comm LED Operation.....	22
Bypassing Calibration.....	22
Setting a Starting Address.....	23
DMX Comm.....	23
Ethernet (Art-Net) Comm.....	24
Starting the Lamp.....	25
Configuring Comm Loss Setting.....	26
Configuring Universe, Comm, and Other Options.....	26

Accessory Options

Followspot Operation.....	27
Manual Followspot.....	27
Enabling Pan/Tilt Free Mode.....	28

Chapter 3. Operation

Menu System

Using the Menu Touchscreen.....	30
On-Board Battery.....	30
Menu System Overview.....	31
Home Screen.....	32
Lamp Screen.....	33
Configuration Screen.....	33

Pan/Tilt Screen	34
Information Screen	34
Communication Screen	34
Status Screen	35
Test Screen	35
Moiré Gobos Screen	35
Test Sub-Menu Screens	36
Followspot Control	37
DMX512 Operation	
Channel Mapping	39
Wheel Control	40
Control Channels	42
Timing Channels	44
Channel Functions	44
Timing Channel Mapping	44
Zoom Tables	48
Gobo Set Zero Position	48

Chapter 4. Troubleshooting and Maintenance

Troubleshooting

Troubleshooting Guide	50
Errors	51

Testing

Test Screen	54
Mechanical Test	55
Group Test	56

Software Update

Software Update Using LumLoader Application	57
Software Crossload	58

Equipment Handling

Proper Lamp Servicing and Operation	59
---	----

Routine Maintenance

Removing the Head Covers	60
Removing the Aft Cover	61
Removing the Enclosure Covers	62
Cleaning the Head Electrostatic Filters	63
Cleaning the Enclosure Intake Filters	64
Cleaning the Luminaire Exterior	65
Cleaning the Lenses	66
Cleaning Gobo, Color and Dimmer Wheels	69
Replacing the Lamp	70
Adjusting the Lamp	72
Replacing a Gobo	73
Replacing a Designer Color Filter	76

Appendix A. Technical Specifications

Bad Boy Spot Luminaire	80
Bad Boy Road Case	82
AC Line Current / Power vs. Voltage	83
Photometric Data	83
Narrow Zoom	84
Medium Zoom	85
Wide Zoom	86
Logarithmic Beam Illuminance Comparison	87

Appendix B. Glossary

Glossary of Terms	90
-------------------------	----



INTRODUCTION

About This Manual

This manual provides necessary information regarding product safety, installation, and operation for the following equipment:

- + Bad Boy® Spot Luminaire (20.9812.0002)

Familiarizing yourself with this information will help you get the most out of your lighting system.



WARNING: It is important to read ALL accompanying safety and installation instructions to avoid damage to the product and potential injury to yourself or others.

Additional Documentation

For in-depth field service information, refer to the following PRG manual:

- + Bad Boy® Spot Luminaire Field Service Manual (02.9812.0005)

For more information about DMX512 and sACN protocols, refer to the following documents available from the American National Standards Institute (ANSI) at www.ansi.org:

- + ANSI E1.11 - 2008 (R2013)
Entertainment Technology - USITT DMX512-A, Asynchronous Serial Digital Data Transmission Standard for Controlling Lighting Equipment and Accessories
- + ANSI E1.31 - 2009
Entertainment Technology – Lightweight streaming protocol for transport of DMX512 using ACN
- + ANSI E1.20 - 2010
Entertainment Technology-RDM-Remote Device Management over USITT DMX512 Networks

The above documents are also available for free in electronic format at tsp.plasa.org

For more information about Art-Net, refer to the following document available from Artistic Licence Engineering at www.artisticlicence.com:

- + Specification for the Art-Net Ethernet Protocol



Customer Service

For technical assistance, contact the PRG International Service Center or contact your nearest PRG office. Contact information for all PRG office locations can be found on our website at: www.prg.com

PRG Dallas (International Service)

8617 Ambassador Row, Suite 120

Dallas, Texas 75247 USA

Phone: 214.630.1963

Fax: 214.630.5867

Service Fax: 214.638.2125

Service Email: orders@prg.com

For Bad Boy support, please contact: Badboysupport@prg.com

For additional resources and documentation, please visit our website at: www.prg.com

Gobo Art Submission Guidelines

- 1) Each black and white image should be submitted with artwork oriented as intended for viewing when projected from the luminaire onto a flat surface such as a white wall.
- 2) Highest resolution and cleanest available image or sketch should be submitted - preferably in vector format (Adobe Illustrator, AutoCad .dxf or .dwg, etc.) or, alternately, a raster image (.tiff, .jpeg, .bmp or .gif) may be used.
- 3) Areas of the image that are to be left open or clear should be shown in the artwork as white, while areas of the image that are to be occluded or opaque should be shown in the artwork as black.
- 4) Orient image so that the intended top of the image is pointing straight up.
- 5) Colored images should be submitted in CMYK color space to accommodate the color separation process.
- 6) Artwork files should be emailed to: DallasGobo@prg.com



1.

DESCRIPTION

This chapter contains an overview of luminaire features and components.

- + FEATURES
- + COMPONENTS

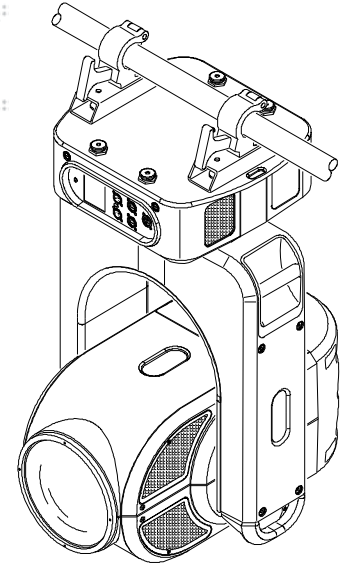
FEATURES

Overview

The Bad Boy Spot Luminaire combines the qualities of a traditional automated light with a large venue fixture.

Features

- + Philips MSR Gold™ FastFit lamp that can be set to levels 900W, 1200W, or 1400W.
- + Built-in LCD touchscreen display which provides access to control, configuration, status, and testing functions.
- + Zoom lens system consisting of four groups of lenses - each independently controlled for accuracy while maintaining focus during zoom changes.
- + Zoom range of 8:1 from a narrow spot of 7° to a wide flood of 56°.
- + Edge control for gobo focus and gobo morphing.
- + Mechanical iris which provides continuous beam size control for both rapid changes and smooth timed beam angle changes.
- + 8-inch diameter front lens which produces a large, full beam that easily can be varied by the luminaire's zoom lens and beam size iris.
- + Full-field dimming from 0 to 100% with accurate slow-speed control as well as fast bumps.
- + CMY color system featuring three (3) cross-fading color wheels (Cyan, Magenta, and Yellow), plus one (1) designer wheel with user-changeable color filters.
- + Instantaneous color bumps and flashes as well as smooth control for timed color changes.
- + Two (2) indexable, rotating gobo wheels with seven (7) gobos per wheel. Gobos are individually calibrated so the unit will automatically index the orientation of each gobo regardless of placement.
- + Variable frost for smooth diffusion.
- + Servo-powered, lightning fast strobe mechanism.
- + Precision glass reflector with dichroic cold mirror coating.
- + On-board battery to address and configure fixture without main power.
- + Three-phase, high-speed servo motors for pan and tilt to provide repeatable, precise responses.
- + Pan and tilt locking mechanisms which automatically unlock when power is applied to the fixture.
- + Pan range of 540° and a tilt range of 270°.
- + Can be mounted and operated in any orientation.
- + Compatible with all PRG consoles and a wide variety of DMX512 and Art-Net consoles. An internal Ethernet switch allows for daisy-chaining fixtures.



COMPONENTS

Included Items

The following illustration shows all items included with the luminaire:

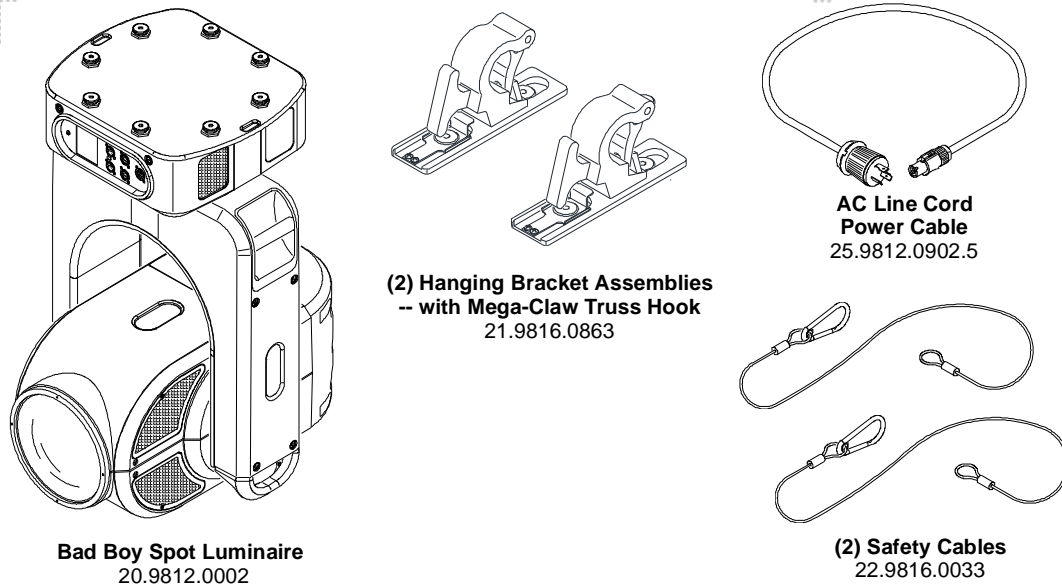


Figure 1-1: Bad Boy Luminaire Included Items

Replacement Items and Accessories

The following items can be ordered from PRG. (Please order by PRG part number.)

PRG P/N	Accessory
21.9812.0863	Bad Boy Hanging Bracket Assembly
22.9620.0194	Safety Cable Assembly
23.9623.0177	DMX Termination Connector
25.9812.0902.5	AC Line Cord 2.5' 14/3 L6-20 Cable Assembly
28.9812.0060	Followspot Controller™
28.9812.0688	Followspot Handles Kit
71.2566.1200.0	Philips MSR Gold™ FastFit Lamp

Major Components and Controls

The following illustration shows the external luminaire components and controls.

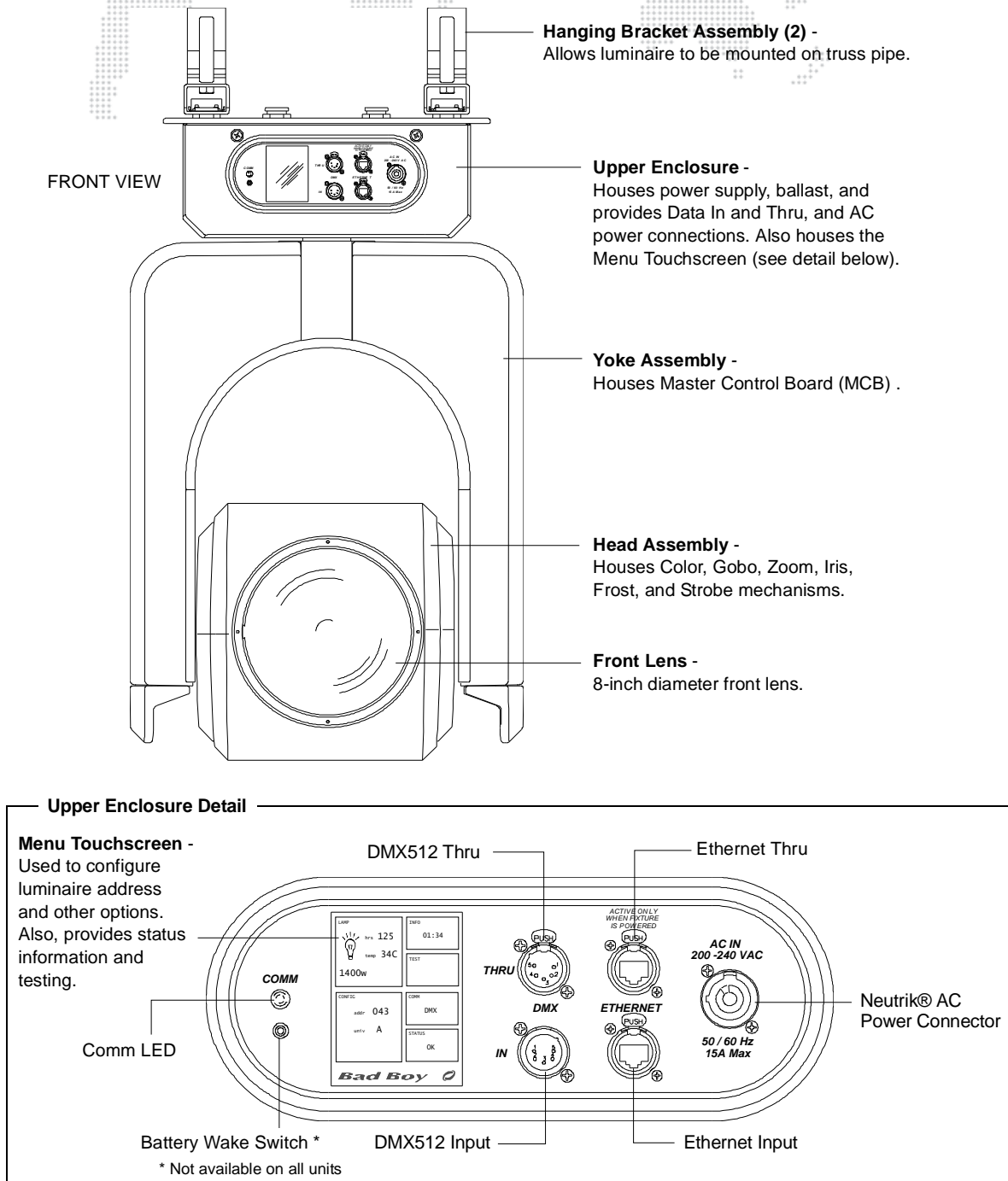


Figure 1-2: Bad Boy Luminaire External Components and Controls

Designer Color Wheel Standard Configuration

The following drawing shows the standard Bad Boy Designer Color Wheel configuration.

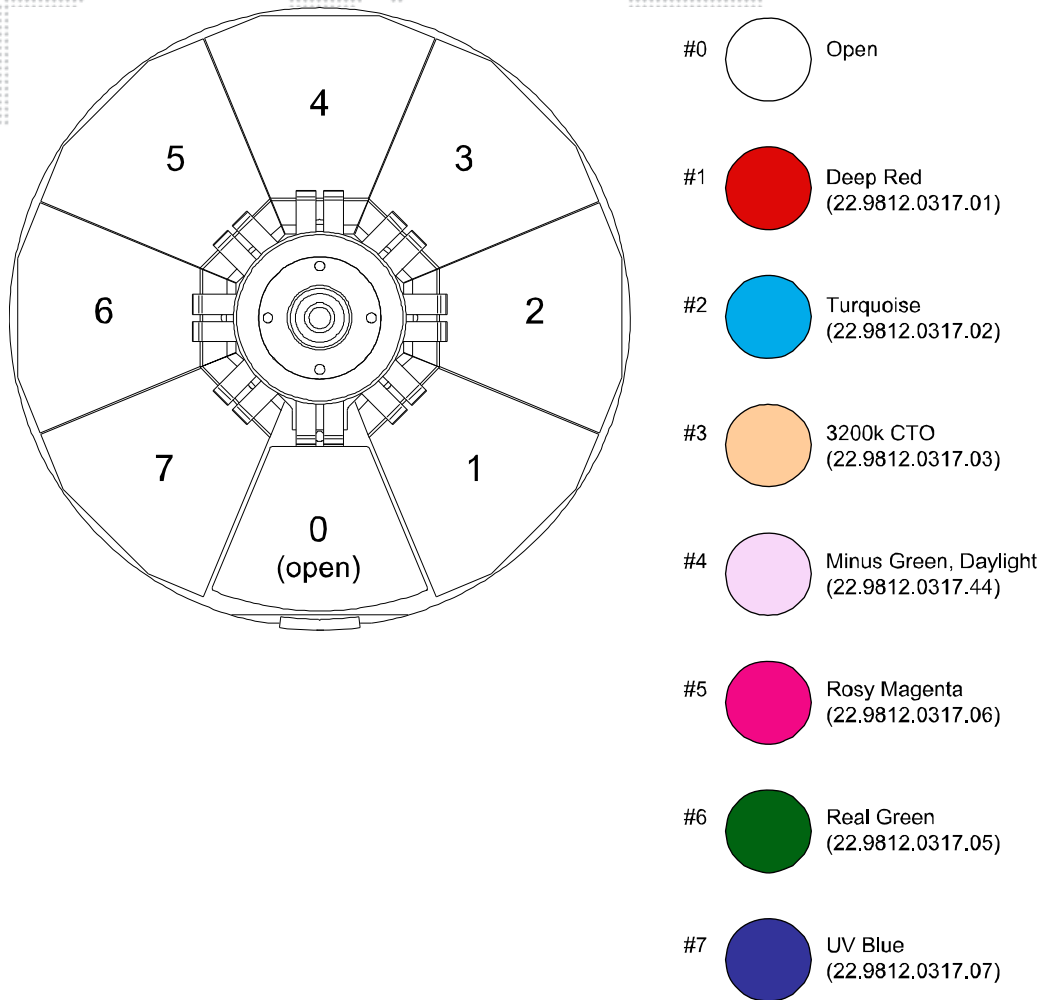


Figure 1-3: Designer Color Wheel Standard Configuration

Standard Gobo Wheel Configuration

The following drawing shows the standard Bad Boy Designer Gobo Wheel configurations.

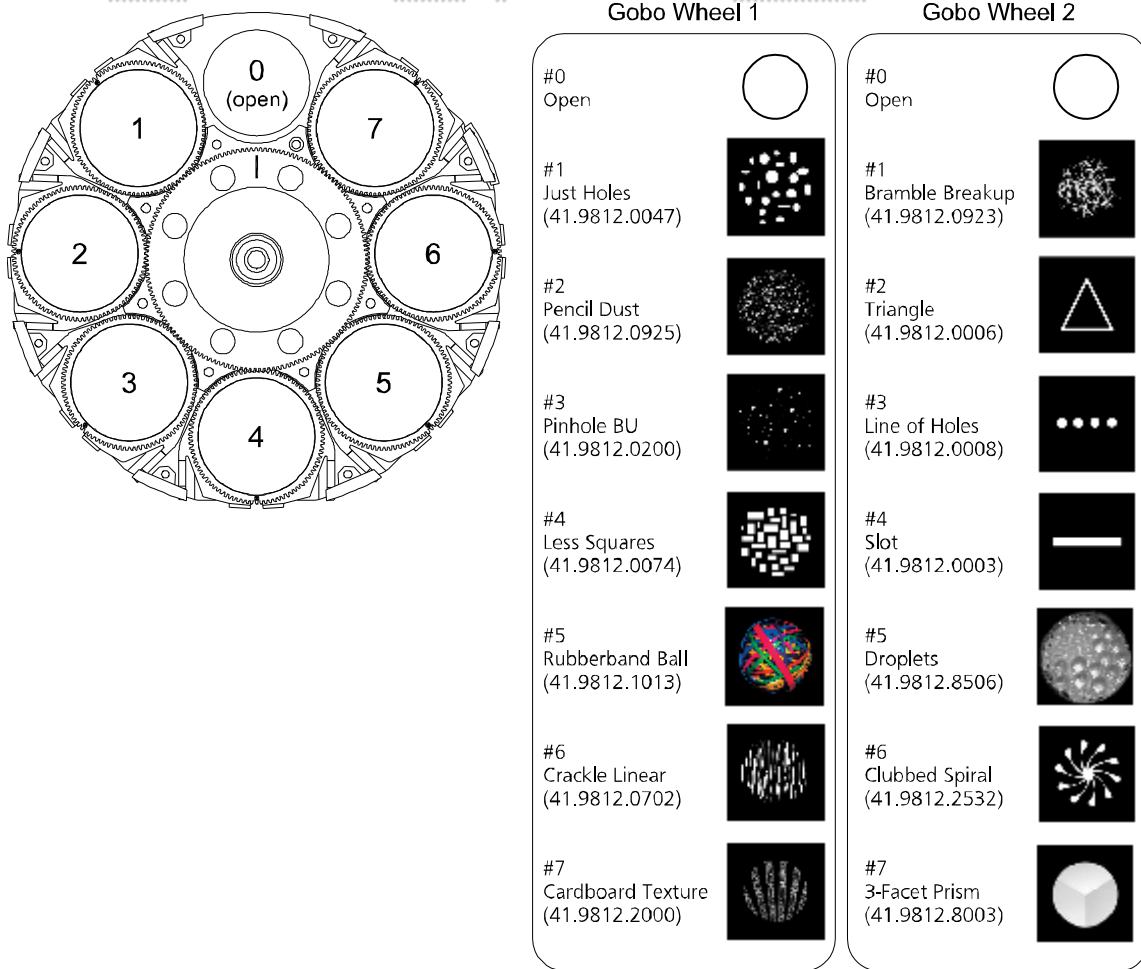


Figure 1-4: Gobo Wheel Standard Configurations

About Moiré Gobos

Moiré gobos contain two pieces of glass: one that is fixed and another that rotates. Since the two pieces of glass are very close together, it creates an interesting interference effect (which is referred to as the "moiré"). Due to this construction they do not contain sensors, and therefore cannot be calibrated to a certain orientation at startup as with standard gobos.



CAUTION: Moiré gobo positions MUST be set using the menu system. Refer to "Test Screen" on page 35.



2.

INSTALLATION

This chapter contains instructions for installing the luminaire. It includes instructions for connecting power and data, along with instructions for powering up the luminaire for the first time and addressing it within your system.

- + POWER AND DATA CABLING REQUIREMENTS
- + INSTALLATION PROCEDURES
- + POWER UP AND BASIC SETUP PROCEDURES
- + ACCESSORY OPTIONS

POWER AND DATA CABLING REQUIREMENTS

Power

The Bad Boy Spot Luminaire requires standard AC power distribution from 200-240 VAC, 50/60 Hz, 15A maximum. The upper enclosure provides a Neutrik® connector for power input. Use the provided AC Line Cord Cable Assembly (25.9812.0902.5) to connect power.

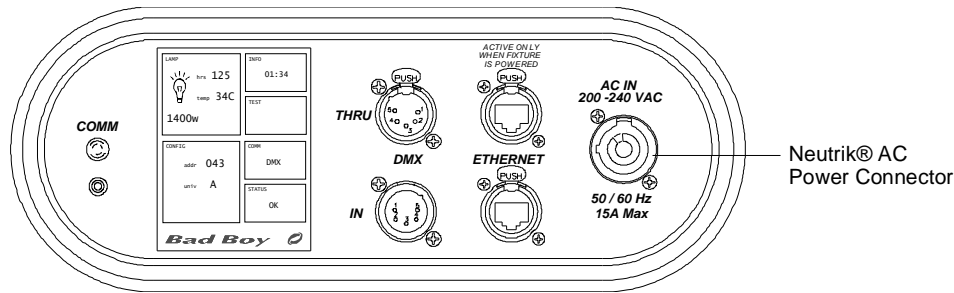


Figure 2-1: Power Input Connector

Refer to "[AC Line Current / Power vs. Voltage](#)" on page 83 for details on power consumption at various voltages.

Data

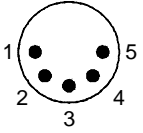
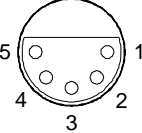
DMX512 Cables

The Bad Boy Luminaire is equipped with two, 5-pin XLR connectors for DMX IN and DMX THRU (out) applications. DMX IN requires a 5-pin, female XLR connector and DMX THRU requires a 5-pin, male XLR connector. When purchasing or constructing data cables, it is important that not only the correct cable type be used, but also quality cable to ensure a reliable DMX512 system. Your cabling should meet the following USITT DMX specification requirements:

- + Suitable for use with EIA485 (RS485) operation at 250k baud.
- + Characteristic impedance 85-150 ohms, nominally 120 ohms.
- + Low capacitance.
- + Two twisted pairs.
- + Foil and braid shielded.
- + 24 AWG minimum gauge for runs up to 1000 feet (300m).
- + 22 AWG minimum gauge for runs up to 1640 feet (500m).

Note: Microphone type cables and other general purpose, two-core audio or signal cables are not suitable for use with DMX512.

The XLR 5-pin connectors should be wired as follows:

Pin/Wire Code to XLR Connectors						
DMX Thru Cable Pinout  Male Conn	Pin 1 Foil & Braided Shield	Pin 2 1st conductor of 1st twisted pair Data (-)	Pin 3 2nd conductor of 1st twisted pair Data (+)	Pin 4 1st conductor of 2nd twisted pair Data (-)	Pin 5 2nd conductor of 2nd twisted pair Data (+)	DMX In Cable Pinout  Female Conn

Note: Refer to the USITT Recommended Practice for DMX512 guide for additional information regarding DMX512 systems. See "[Additional Documentation](#)" on page 1.

Recommended Cable Types/Manufacturers

These are only a few of the suitable cable types. Any quality EIA485, twisted pair, 120 ohm, shielded cable will also work.

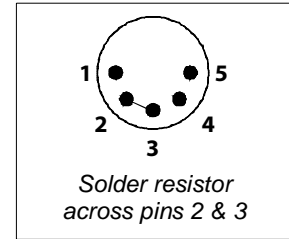
Type	Pairs	ZΩ*	Jacket	AWG	Use	Temp (F)
Belden Cables						
1215A	2	150	PVC	26	IBM Type 6 Office cable	75
1269A	2	100	PTFE	22 (Solid)	High Temp, Plenum cable	200
8102	2	100	PVC	24	UL2919	80
8132	2	120	PVC	28	UL2919	80
8162	2	100	PVC	24	UL2493	60
82729	2	100	PTFE	24	High Temp, Plenum cable	200
88102	2	100	PTFE	24	High Temp, Plenum cable	200
89696	2	100	PTFE	22	High Temp, Plenum cable	200
89729	2	100	PTFE	24	High Temp, Plenum cable	200
89855	2	100	PTFE	22	High Temp, Plenum cable	200
9729	2	100	PVC	24	UL2493	60
9804	2	100	PVC	28	UL2960	60
9829	2	100	PVC	24	UL2919	80
9842	2	120	PVC	24	UL2919	80
Proplex Cables						
PC224P	2	110	Polyurethane	22	Heavy Duty and Portable	105
PC224T	2	110	PVC	22	UL2464	105
PC226T	3	110	PVC	22	UL2464	

* Characteristic Impedance

DMX512 Male Termination Connector

A male XLR DMX512 termination connector is required at the last luminaire (or "far end of the line") to prevent signal reflections. Signal reflections may cancel out the signal at certain line lengths, resulting in errors. The terminator is also necessary for software downloads and running tests on multiple luminaires. To construct your own connector, you will need the following components:

- + 5-pin, male XLR connector.
- + 120 ohm resistor.



Note: A male termination connector is also available as an accessory from PRG. See "[Replacement Items and Accessories](#)" on page 5.

Ethernet Cables

The Bad Boy Luminaire is equipped with two RJ-45 type connectors for Ethernet input/output. Ethernet cabling should follow these guidelines:

- + Ethernet cable assemblies must match the CAT5e specification.
- + Regular or crossover cables are acceptable.
- + Both EtherCon® and RJ-45 connectors are acceptable.

INSTALLATION PROCEDURES

Unpacking and Attaching Hanging Brackets

The Bad Boy Spot Luminaire can be hung horizontally or vertically from any structure designed to accommodate the load of this moving luminaire. Two provided Hanging Bracket Assemblies (21.9812.0863) are used to attach the luminaire to a truss pipe. The Hanging Brackets consist of a pre-assembled bracket with a Mega-Claw Truss Hook.

To unpack and attach brackets:

- Step 1. Unlatch and remove case lid (**Figure 2-2**).
- Step 2. Remove Power Cord, Safety Cables, and Hanging Brackets from case.
- Step 3. Tilt luminaire enclosure upright as shown.
- Step 4. Install Hanging Brackets as follows:
 - a. Choose orientation. Brackets may be attached in one of four positions. Refer to **Figure 2-3** for a diagram of the orientation options.
 - b. Orient Hanging Bracket in desired direction over two attachment buttons on bottom of upper enclosure (**Figure 2-2**).
 - c. Place Hanging Bracket down over buttons and slide until bracket locks into place (you will hear a "click" when bracket is locked).

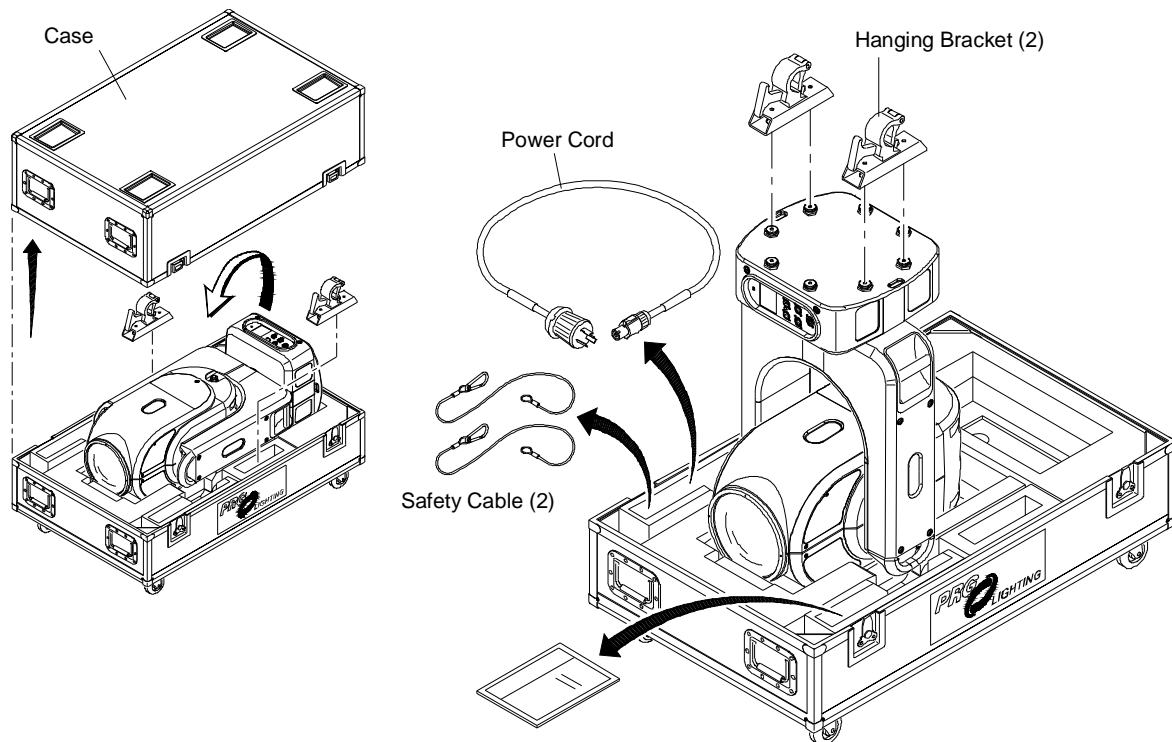


Figure 2-2: Opening Case and Attaching Hanging Brackets

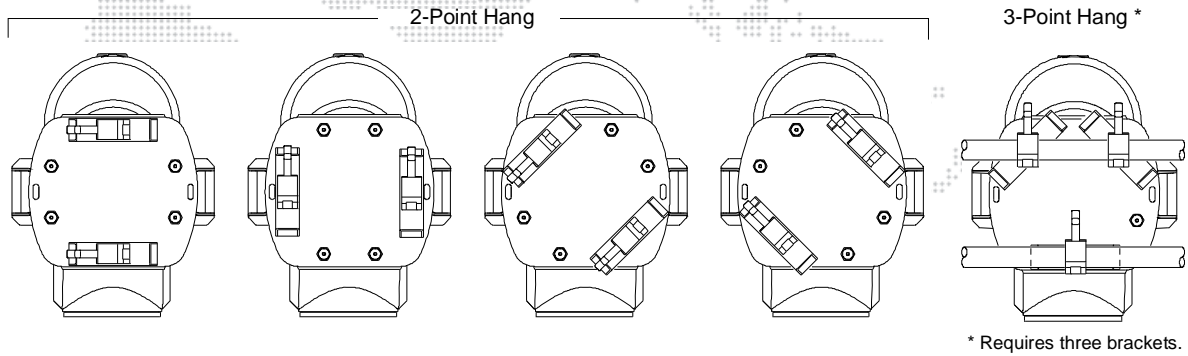


Figure 2-3: Hanging Bracket Orientations

Standard Hang



WARNING: The luminaire is heavy. Use caution when lifting.



WARNING: Two safety cables and at least two truss hooks should be used in all hang configurations.

To install in standard 2-point hang:

- Step 1. Unpack case and attach Hanging Brackets. Refer to "**Unpacking and Attaching Hanging Brackets**" on page 13.
- Step 2. Roll case to mounting location as required (**Figure 2-4**).
- Step 3. Using two people, carefully lift luminaire into mounting position.
- Step 4. Secure in place by tightening Truss Hook wing bolts (**Figure 2-5**). Ensure that luminaire is fully supported.
- Step 5. Feed safety cables through mounting bracket slots and secure around pipe as shown in **Figure 2-5**.

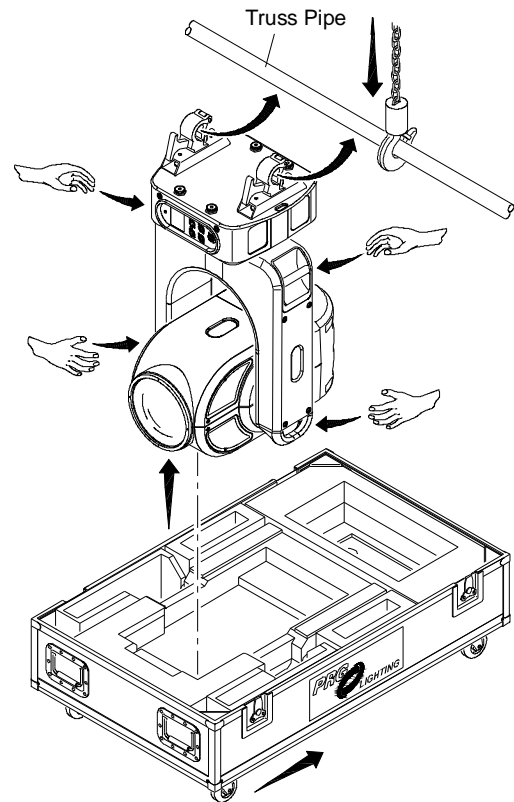


Figure 2-4: Removing Luminaire From Case

Step 6. Connect power and data cables according to "Connecting Power and Data" on page 19.

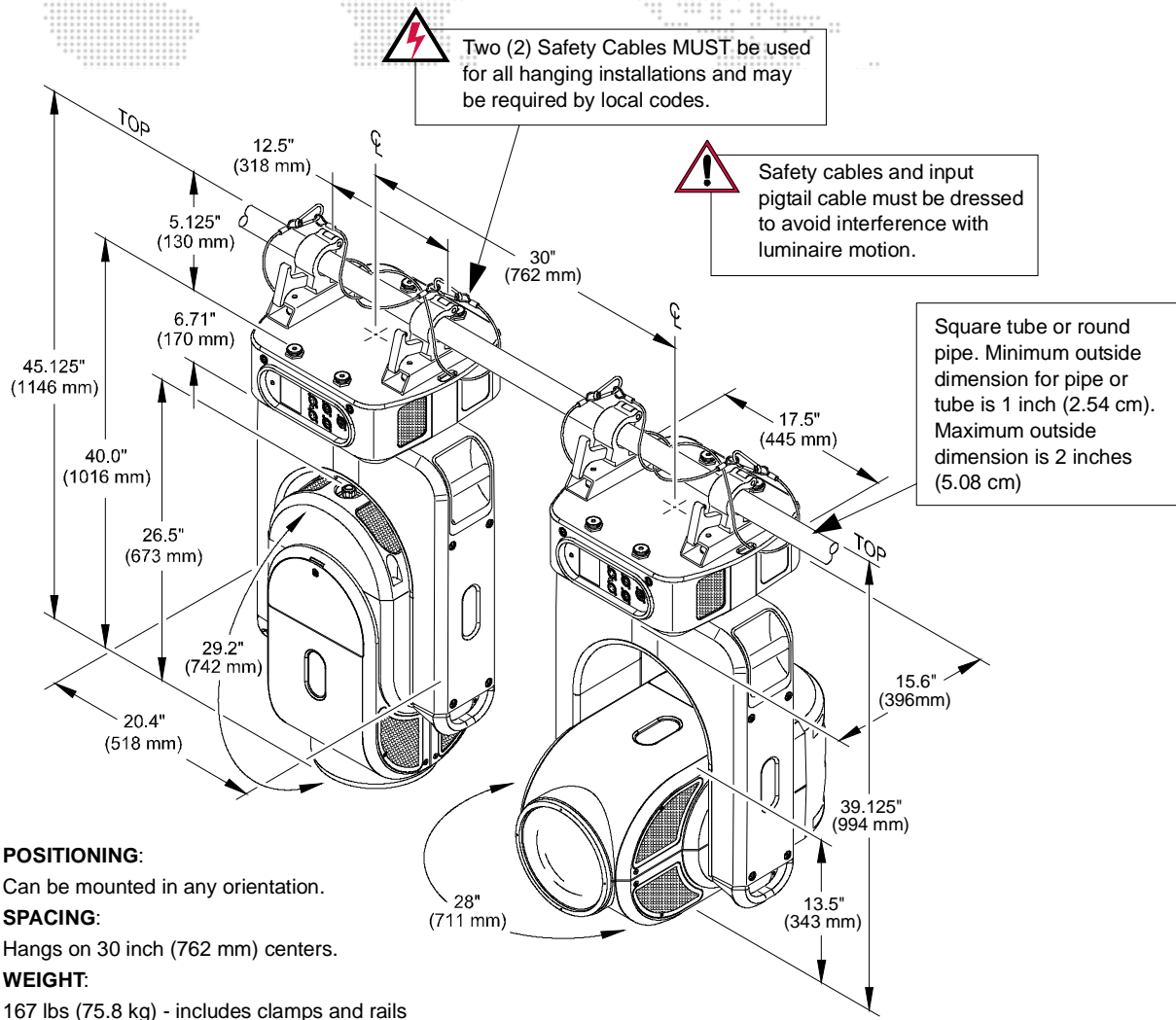


Figure 2-5: Standard Hanging Configuration and Dimensions

Vertical "Yoke Out" Hang

The Bad Boy Spot Luminaire can be hung in a vertical position, if required. In this configuration, the luminaire should be positioned so that the interface panel (display) is facing downward for ease of programming.



WARNING: The luminaire is heavy. Use caution when lifting.



WARNING: The vertical configuration requires **3 people** to hang and secure the luminaire.



WARNING: Two safety cables and at least two truss hooks should be used in all hang configurations.

To install in vertical hang:

- Step 1. Orient Hanging Brackets as shown in **Figure 2-6**.
- Step 2. Place Hanging Bracket down over buttons and slide until bracket locks into place (you will hear a "click" when bracket is locked).



CAUTION: Hanging Brackets must be installed in the orientation shown in **Figure 2-6** so that the interface panel (display) will face downward.

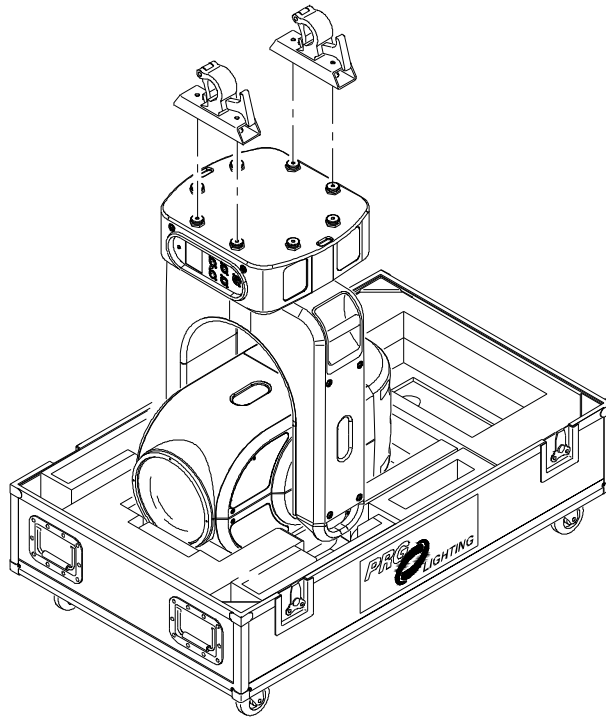


Figure 2-6: Attaching Hanging Brackets

- Step 3. Roll case to mounting location as required (**Figure 2-7**).
- Step 4. Using two people, carefully lift luminaire into mounting position so that *display is facing downward*.
- Step 5. Using a third person, secure in place by tightening Truss Hook wing bolts. Ensure that luminaire is fully supported.

Step 6. Feed safety cables through mounting bracket slots and secure around pipe.

Step 7. Connect power and data cables according to "Connecting Power and Data" on page 19.

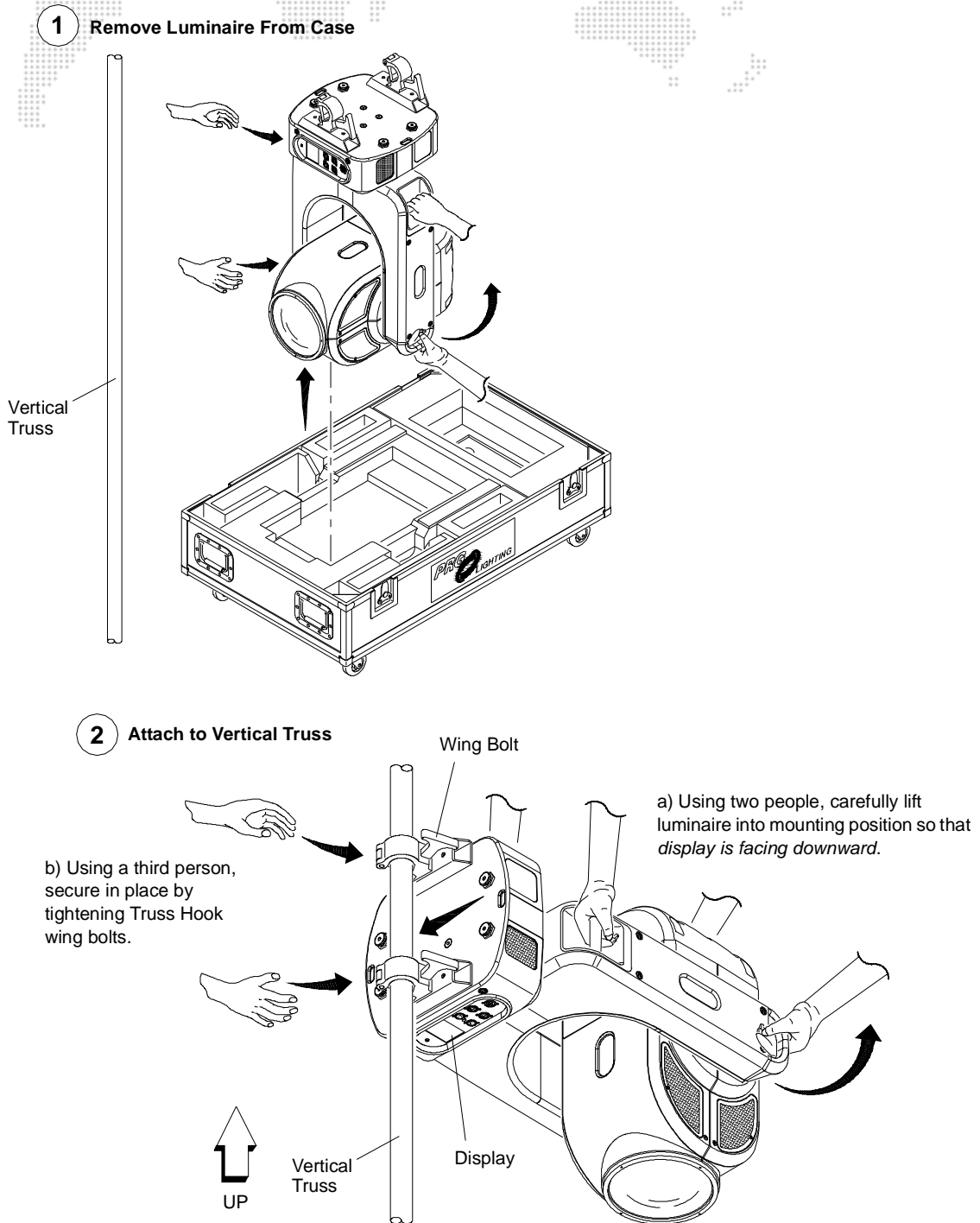


Figure 2-7: Vertical "Yoke Out" Hanging Configuration

Standing Position

The Bad Boy Spot Luminaire can also be used in a standing position. Be sure that the floor or stage will accommodate the load of this moving luminaire.

To install in a standing position:

- Step 1. Unlatch and remove case lid (Figure 2-8).
- Step 2. Remove Power Cord and Safety Cables from case.
- Step 3. Tilt case upright as shown. Use grips on bottom of case to assist in tilting upward.
- Step 4. Carefully remove luminaire from case and place in standing position.
- Step 5. Connect power and data cables according to "Connecting Power and Data" on page 19.

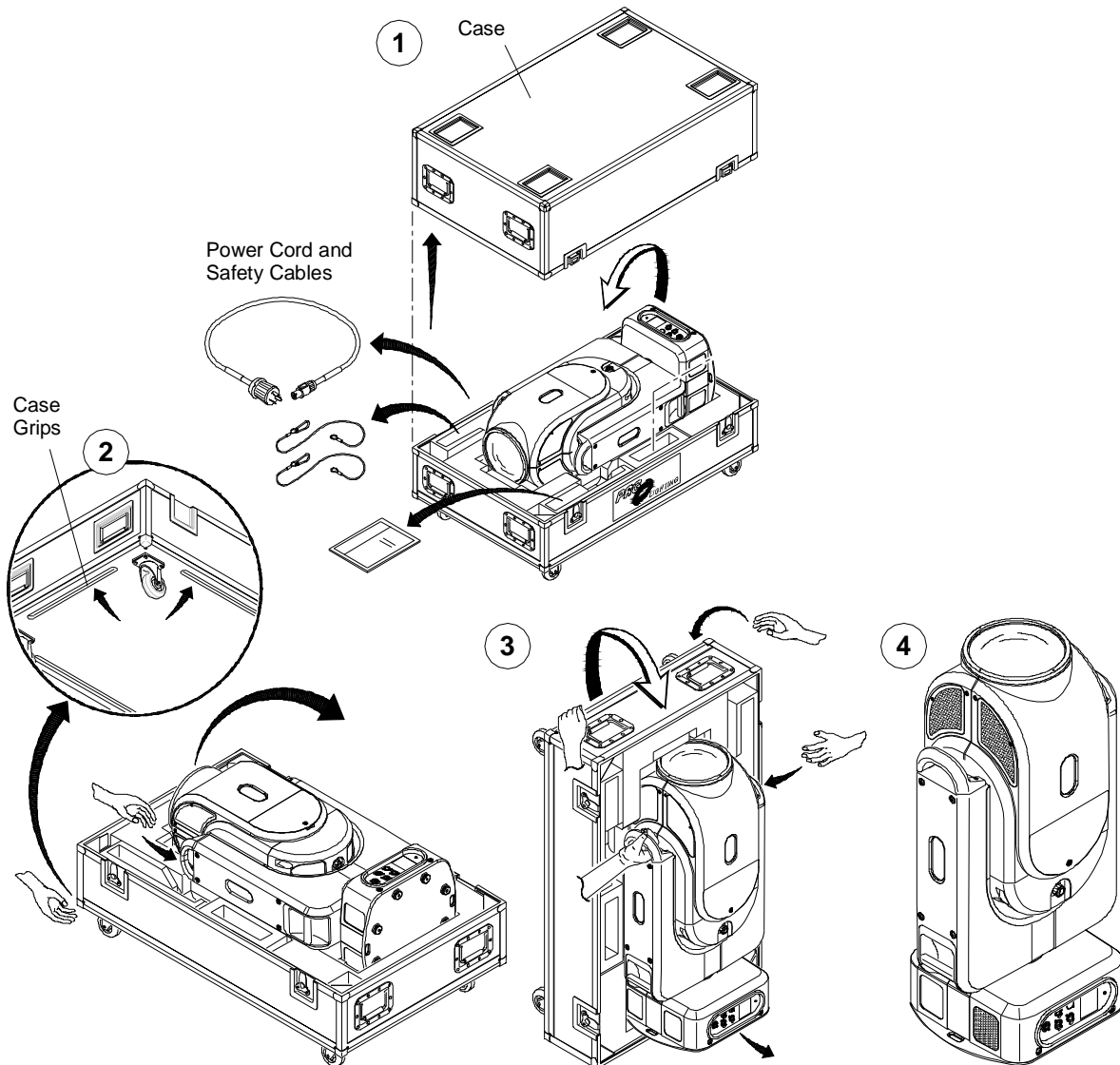


Figure 2-8: Standing Position

Connecting Power and Data

The Bad Boy Spot Luminaire may be controlled by DMX512 or Ethernet. The control inputs are located at the upper enclosure connector panel.

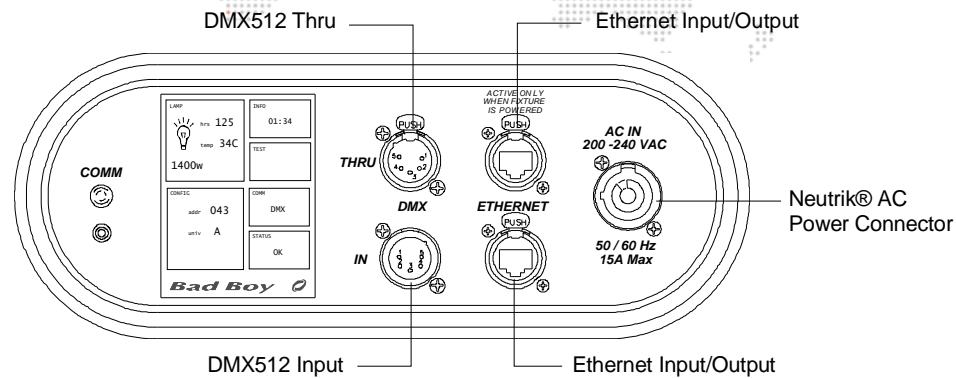


Figure 2-9: Data Connections

Observe the following guidelines when setting up the system:

- + The DMX512 Thru port remains active even if the luminaire is not powered up.
- + A maximum of **32** luminaires may be connected in any one DMX512 or Ethernet data link. However, note that the maximum limit applies to the luminaire "daisy-chain" only. Your system or console may require fewer luminaires on a single data link path. Consult your console documentation for more information.
- + The Ethernet ports are not assigned as either In or Thru as the DMX512 ports are assigned. Ethernet can be connected in any configuration.
- + Standard "star" topology should be used with Ethernet configurations. DO NOT create a "ring" with Ethernet.



CAUTION: The Ethernet ports are connected to an internal switch. If power is disconnected to the luminaire, the switch will go off, therefore cutting communication to downstream luminaires.

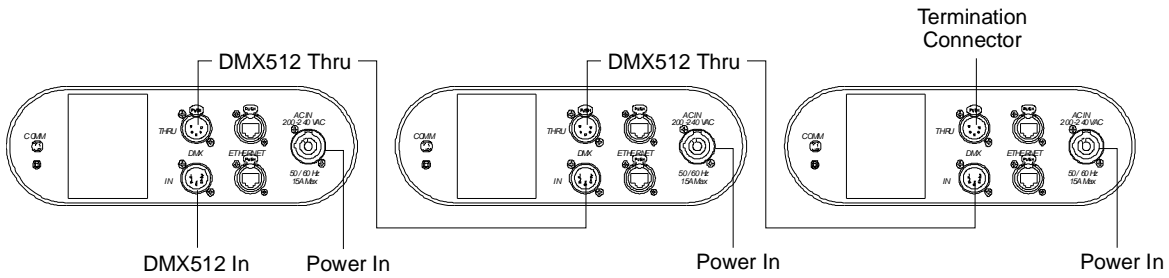
Power is provided by the AC Line Cord Cable Assembly (25.9812.0902.5) connected to the Neutrik® power input connector. There is no power on/off switch.

Note: Refer to "[Comm LED Operation](#)" on page 22 for more details about the Comm LED.

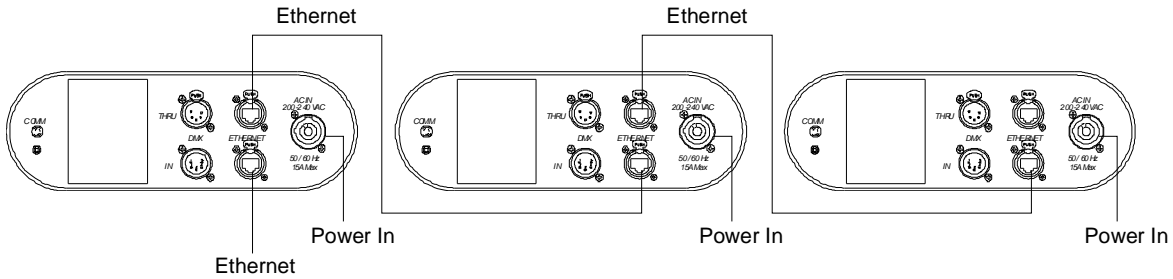
To connect power and data:

- Step 1. Connect data cable (DMX512 or Ethernet) from console to appropriate input connector at first luminaire in chain (**Figure 2-10**).
- Step 2. If required, connect additional data cables from appropriate thru connectors to input connectors of remaining luminaires in chain.
- Step 3. *For DMX512 systems:* At last luminaire in chain, install male termination connector at DMX512 THRU connector. (Luminaires and other devices on the same DMX512 chain may not function properly without termination.) Refer to "**DMX512 Male Termination Connector**" on page 12.
- Step 4. At each luminaire, connect AC Line Cord Cable Assembly from power input source.
- Step 5. Dress and secure all cables so that they will not interfere with luminaire head or yoke movement.

DMX512 Daisy-Chain



Ethernet Daisy-Chain *



*The Ethernet ports are not assigned as either In or Thru as the DMX512 ports are. Ethernet can be connected in any configuration.

Figure 2-10: Connecting Power and Data Cables

Note: If control data is active on both XLR and Ethernet connections, the fixture will follow the DMX512 commands coming from the XLR.

POWER UP AND BASIC SETUP PROCEDURES

Powering Up the Luminaire

When AC power is applied, the luminaire will begin a calibration sequence which moves its pan, tilt, and all beam control mechanisms. After calibration, the luminaire head will either stop at its "home" position (which positions the pan axis at mid-rotation and the head parallel to the yoke with the lens pointing away from the luminaire upper enclosure) or move to its current DMX-defined position if DMX512 data is present. The beam control mechanisms will also move to their "home" or DMX-defined positions. The lamp is set to OFF in the default mode.

The luminaire also contains an on-board battery so that it can be addressed and configured without being connected to main power (refer to "[On-Board Battery](#)" on page 30).



CAUTION: Before applying power, be sure the luminaire is hung or positioned so that the head and yoke can move freely without restriction. Refer clearances in [Figure 2-5](#) on [page 15](#).



CAUTION: If luminaire is operated without yoke leg covers in place, pan problems will occur.

To power up:

- Step 1. At each luminaire, connect power. Allow luminaire to complete its calibration sequence.
- Step 2. For normal power up, the Menu Touchscreen "Home" screen will display **Status OK**. The Home screen will also display the luminaire's DMX address and lamp information.
- Step 3. Check Comm LED for proper operation. Refer to "[Comm LED Operation](#)" on page 22.
- Step 4. To strike lamp, send appropriate command from console or follow steps provided in "[Starting the Lamp](#)" on page 25.

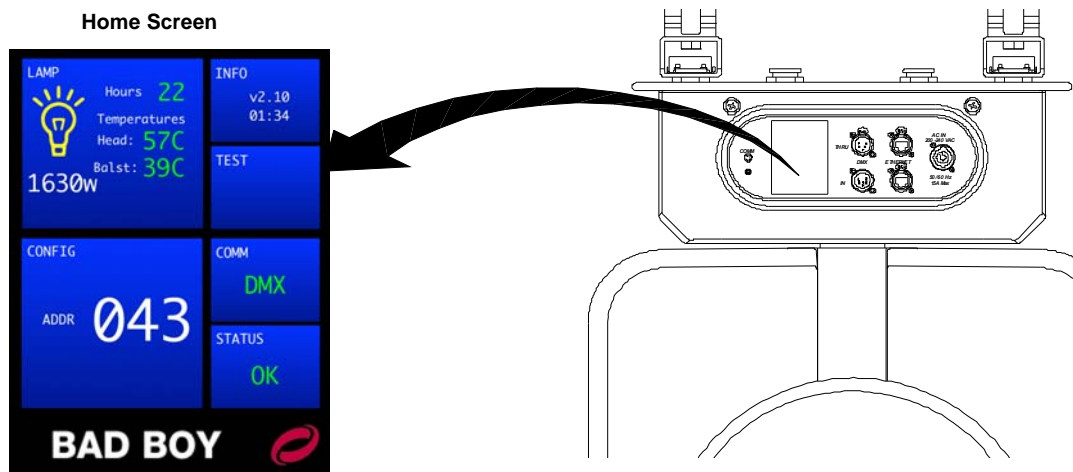


Figure 2-11: Menu Touchscreen at Power Up

Note: Refer to "[Menu System](#)" on page 30 for more information about the Menu Touchscreen.

Comm LED Operation

The Comm LED - located on the upper enclosure connector panel - indicates system control status. This can be used to determine if the luminaire is receiving a control signal. LED indications are as follows:

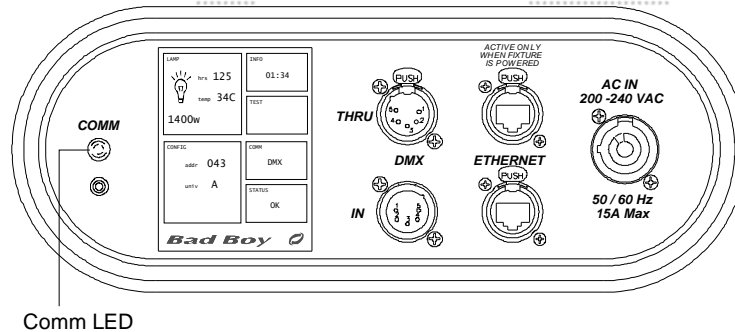


Figure 2-12: Comm LED

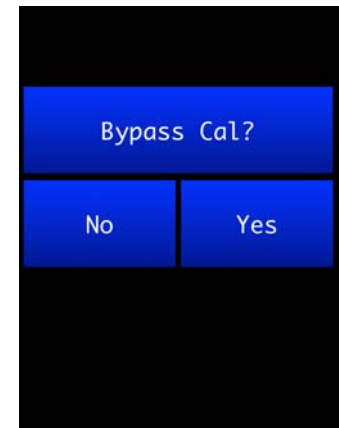
- + **Green** - The Comm LED will light *green* if either DMX or Ethernet control is present. Note that if both valid DMX and Ethernet control are being received, DMX control will take precedence.
- + **Red** - The Comm LED will light *red* if no DMX or Ethernet is present.

Bypassing Calibration

If the menu screen is touched (in the center) and held during startup, the luminaire will present a menu that provides the option to bypass calibration. This feature allows the luminaire to skip the calibration sequence so that it can be powered up in the case for configuration purposes.

To bypass calibration:

- Step 1. Connect power to luminaire.
- Step 2. At startup, touch center of menu screen and hold until Bypass Calibration menu appears.
- Step 3. Press **Yes** to bypass calibration. (The menu will automatically dismiss if no selection is made within 5 seconds.)
- Step 4. Proceed with programming of starting address or other options.



Setting a Starting Address

The method for setting a DMX starting address is the same whether the luminaire is being controlled by DMX512 or Ethernet (Art-Net). The only difference is that the Home screen will display the Comm as either "DMX" or "ETH" depending on the control input.

The DMX starting address is programmed at the Menu Touchscreen. *The luminaire retains its address even if power is removed.*

Note: Refer to your console operating instructions for specific information regarding its addressing requirements.

DMX Comm

The starting address for DMX512 systems is programmed using the CONFIG menu.

To program a starting address:

- Step 1. At Home screen, press CONFIG panel.
- Step 2. At Configuration screen, press DMX ADDRESS panel.
- Step 3. At numeric keypad, enter new starting address and press ENTER.

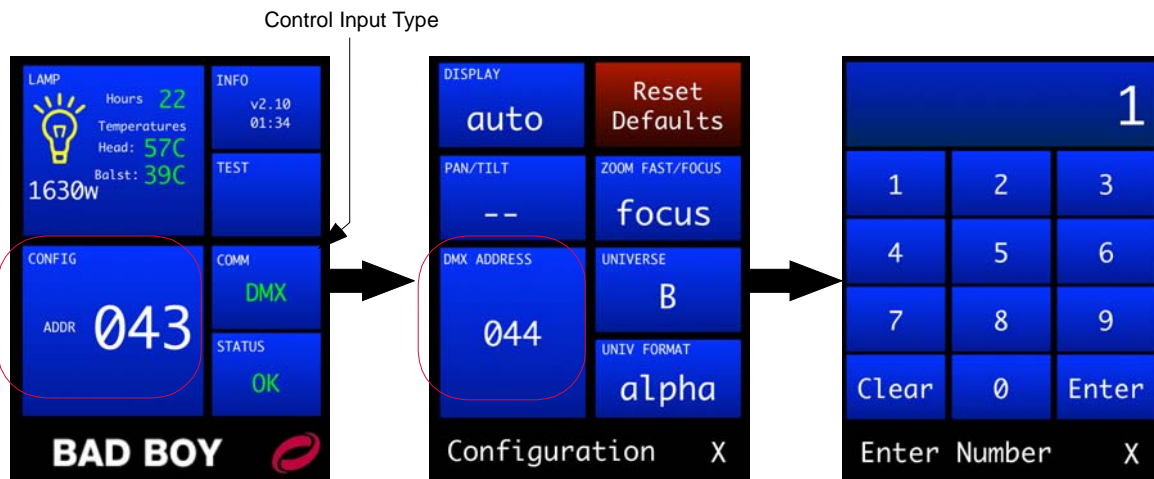


Figure 2-13: Setting Starting Address (DMX Control)

Note: Refer to "Menu System" on page 30 for more information about the Menu Touchscreen.

Ethernet (Art-Net) Comm

The starting address for Ethernet (Art-Net) systems is programmed using the CONFIG menu.

To program a starting address:

- Step 1. At Home screen, press CONFIG panel.
- Step 2. At Configuration screen, press DMX ADDRESS panel.
- Step 3. At numeric keypad, enter new starting address and press ENTER.

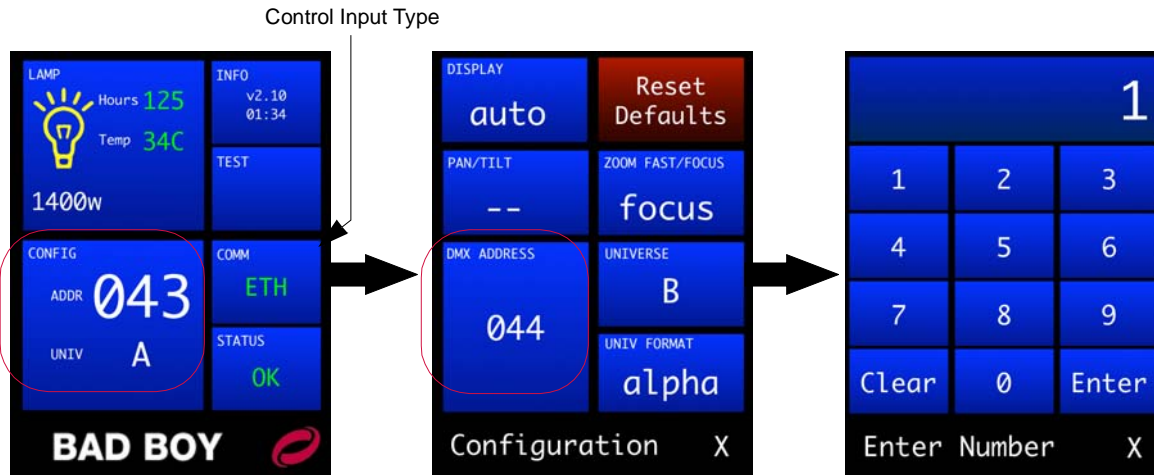


Figure 2-14: Setting Starting Address (Ethernet Control)

To select an Art-Net universe:

If using Ethernet control, a universe must be selected in addition to the DMX address. The universe can be selected and displayed in either alphabetic or numeric mode (using the UNIV FORMAT screen). The alpha mode is useful to differentiate universes from DMX addresses and is the standard on Virtuoso® control systems. In alpha mode, the valid universes are A-JE, selected from the alphabetic keypad (as shown below). If in numeric mode, the valid universes are 0-255, selected from the numeric keypad.

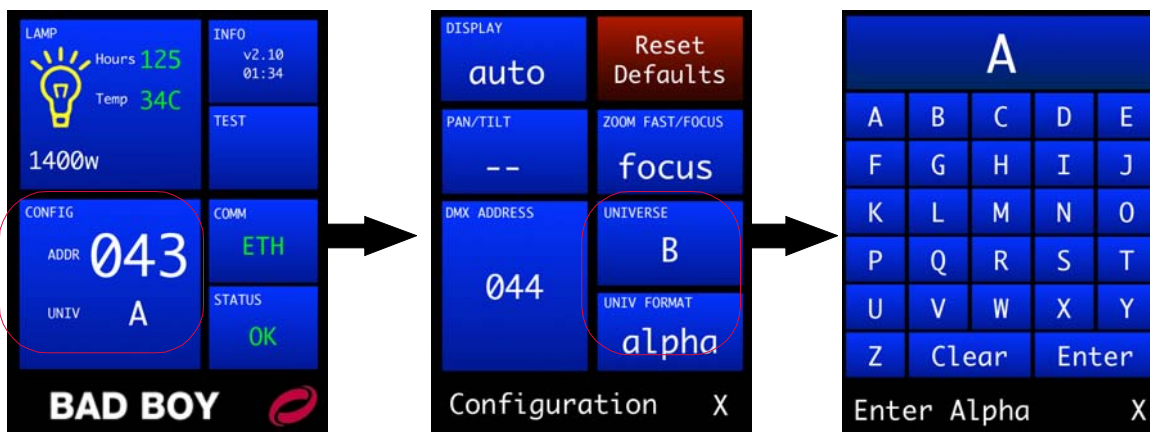


Figure 2-15: Selecting a Universe (Ethernet Control)

Note: Refer to "Menu System" on page 30 for more information about the Menu Touchscreen.

Starting the Lamp

The lamp can be started (turned on) via console command or at the luminaire itself by using the Menu Touchscreen.

To start lamp using Menu Touchscreen:

- Step 1. At Home screen, press LAMP panel.
- Step 2. At Lamp screen, current lamp status (ON/OFF) will be displayed. Press START to bring up YES/NO options.

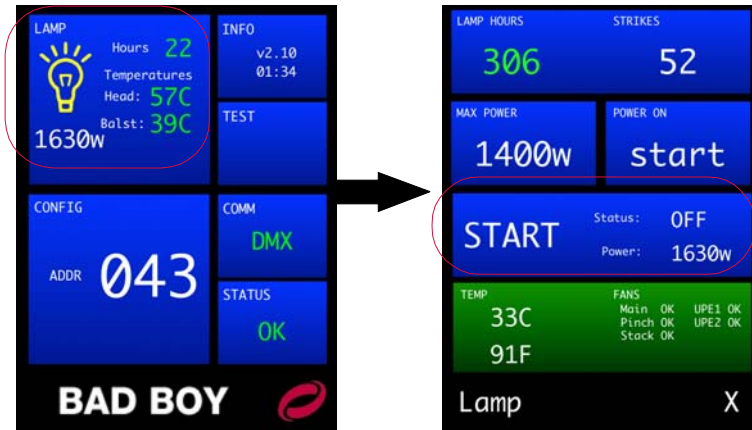


Figure 2-16: Starting the Lamp

- Step 3. Press YES to start lamp.

Lamp Operation Settings

The luminaire can also be configured to power up with its lamp on or off, and the maximum lamp power level can be set via the Lamp screen. For details about all lamp configuration options, refer to "Lamp Screen" on page 33.

Lamp Warm-Up

By default, the lamp is configured for a 3 minute warm-up period at 1200W or less. To override this setting, use the control channel options (refer to "Control Channels" on page 42).

Configuring Comm Loss Setting

The Communication screen includes a "Comm Loss" setting. This setting will configure how long to wait before the fixture fades to black upon loss of comm data.

To configure the Comm Loss setting:

- Step 1. At Communication screen, press COMM LOSS.
- Step 2. Set Trigger Fade After to none, 30 seconds or 60 seconds.
- Step 3. Exit Communication screen.

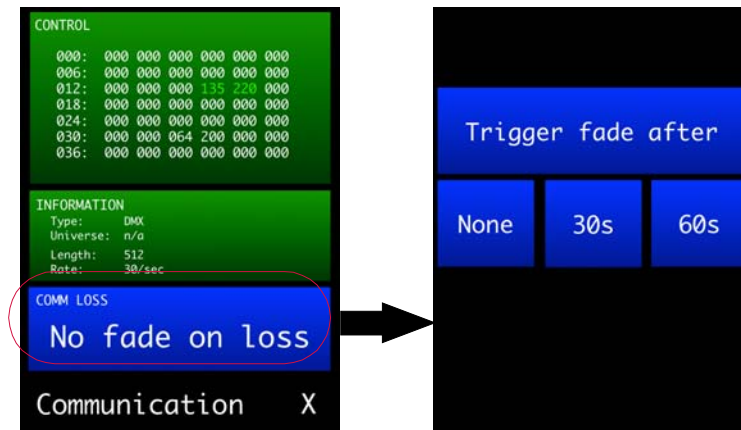


Figure 2-17: Configuring Comm Loss Setting

Configuring Universe, Comm, and Other Options

Other luminaire configurations can be set using the menu screens available at the Menu Touchscreen. Refer to "[Menu System](#)" on page 30 for complete instructions on using these features.

ACCESSORY OPTIONS

Followspot Operation

The Bad Boy Spot Luminaire may also be used as a followspot fixture. There are two accessory options available:

- + Followspot Controller™ (28.9812.0060) - Provides automated followspot control. Refer to "Followspot Control" on page 37 and the separate PRG Followspot Controller User Manual for installation and operation instructions.
- + Followspot Handles Kit (28.9812.0688) - Allows manual followspot control. See installation instructions below.

Manual Followspot

The Followspot Handles Kit (28.9812.0688) includes three handles so that followspot operation may be done manually from the side of the fixture (using the two side handles) or from the rear of the fixture (using the two rear handles). When operating as a manual followspot, pan/tilt should be configured for "free" movement (refer to "Enabling Pan/Tilt Free Mode" on page 28).

To install followspot handles:

- Step 1. At Head Cover, remove two 8-32 x 3/8" PPB screws as shown in **Figure 2-18**.
- Step 2. Install one Front Mount and two Rear Mounts using supplied hardware.

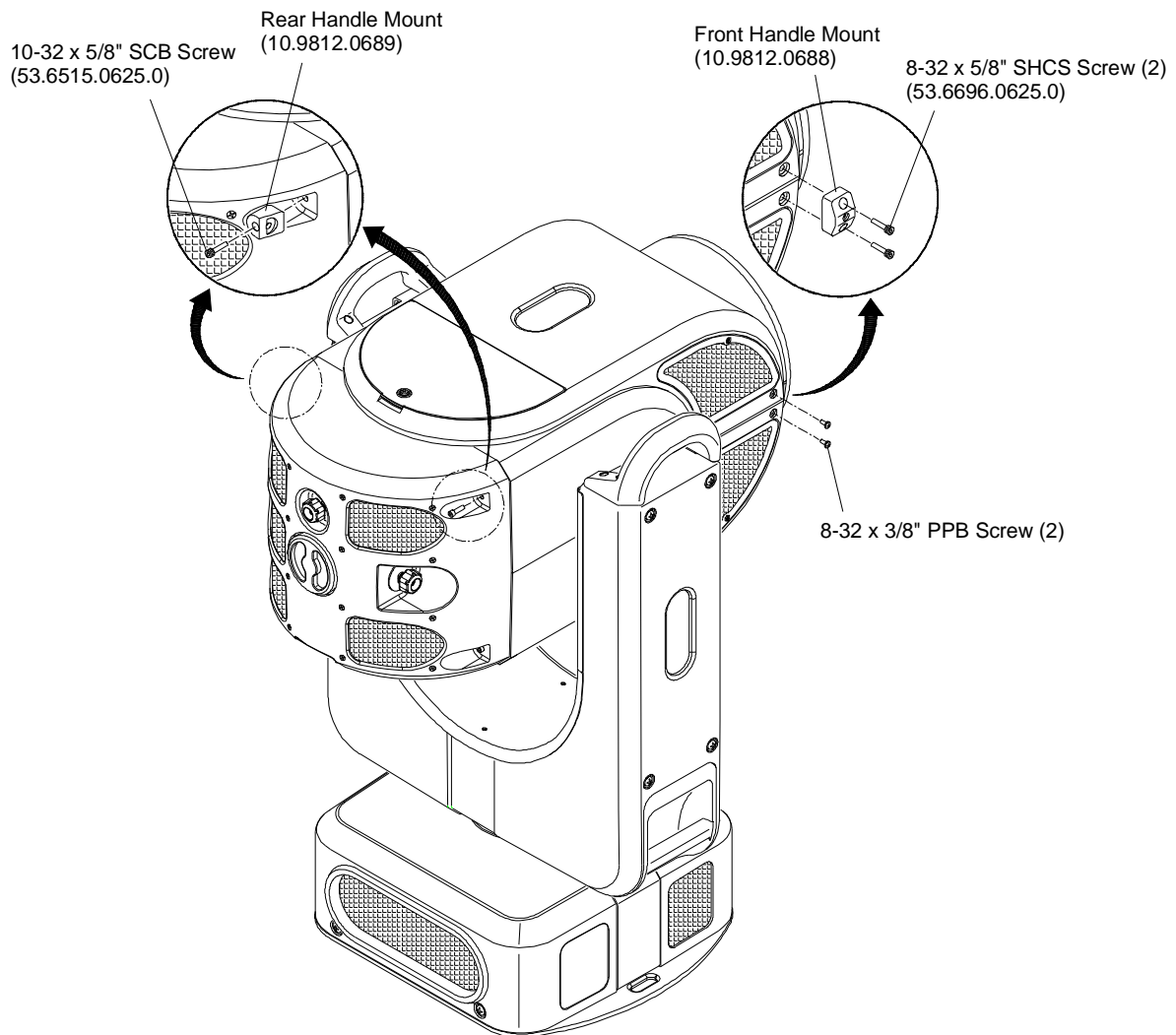


Figure 2-18: Installing Manual Followspot Handles - Step 1

- Step 3. For each Handle Assembly, feed Lanyard through yoke handle, then feed Handle through loop as shown in **Figure 2-19**.
- Step 4. Thread Handles into Handle Mounts.

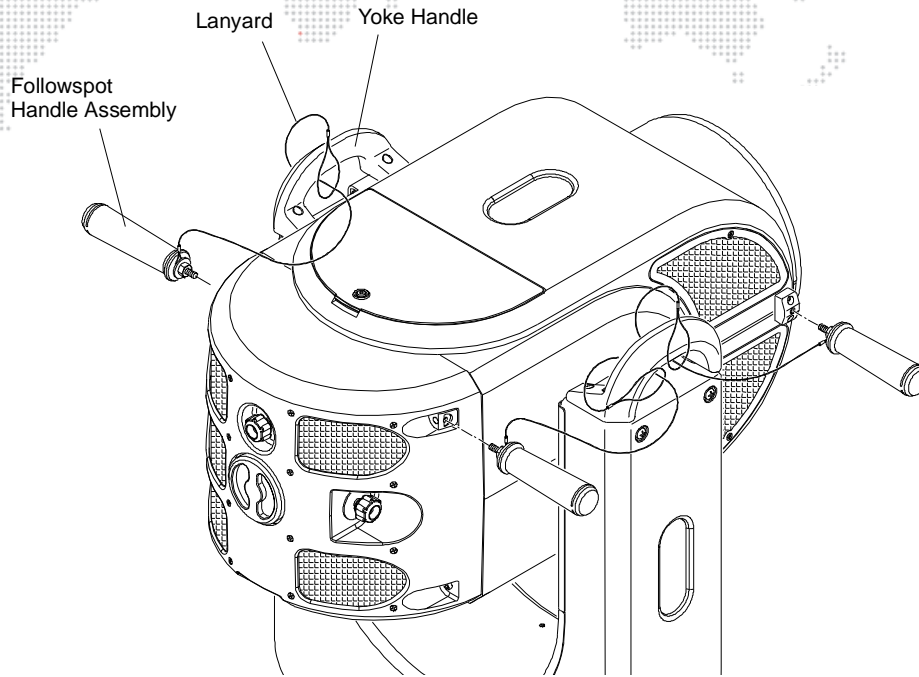


Figure 2-19: Installing Manual Followspot Handles - Step 2

Enabling Pan/Tilt Free Mode

At Pan/Tilt Menu:

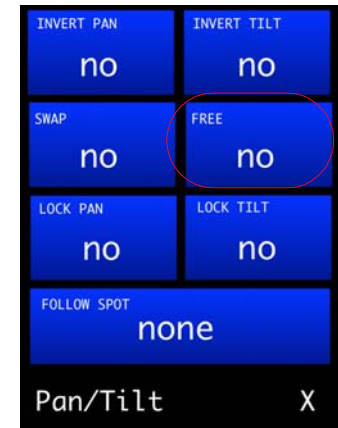
A "Free" mode is available at the Pan/Tilt Menu screen so that the luminaire may be used as a manual followspot fixture.

The FREE panel displays the current "free" setting. Press to bring up Yes/No options. Yes will enable "free" control, which allows the luminaire to be used as a manual followspot.

Refer to "**Pan/Tilt Screen**" on page 34 for additional information about the Pan/Tilt Menu items.

Using Control Channels:

The Free mode may also be enabled/disabled using control channels. Refer to "**Control Channels**" on page 42.





3.

OPERATION

This chapter contains instructions for using the Menu Touchscreen and controlling the luminaire by DMX512.

- + MENU SYSTEM
- + DMX512 OPERATION

MENU SYSTEM

Using the Menu Touchscreen

The menu system is a set of software screens used to configure, address, report status, and test the luminaire. These functions are controlled at the Menu Touchscreen as shown in **Figure 3-1**.

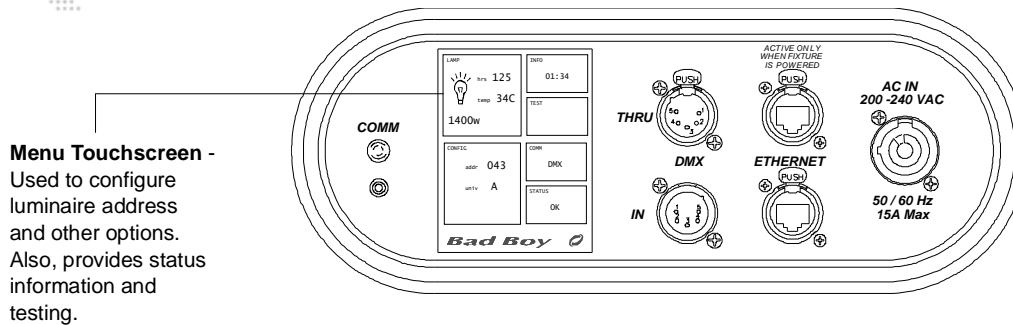


Figure 3-1: Menu Touchscreen

Color Codes

The menu screens are color coded as follows:

- + **Blue** - function control screens. These are configurable functions which will open a sub-menu when touched.
- + **Green** - informational screens. These display status info and will not open further menus when touched.
- + **Red** - important control screens. These are configurable functions which will open a sub-menu when touched. Activating these functions will affect important luminaire settings.

Navigation

To navigate the menus, press the blue or red areas of the touchscreen.

Screen Saver Mode

The menu will automatically return to the Home screen, from a sub-menu, if inactive for 45 seconds. The display will go into screen saver mode (backlight off) if inactive for five minutes.

The menu will automatically jump to the Status screen and wake up the display when a mechanism status changes (error, calibration, etc.).

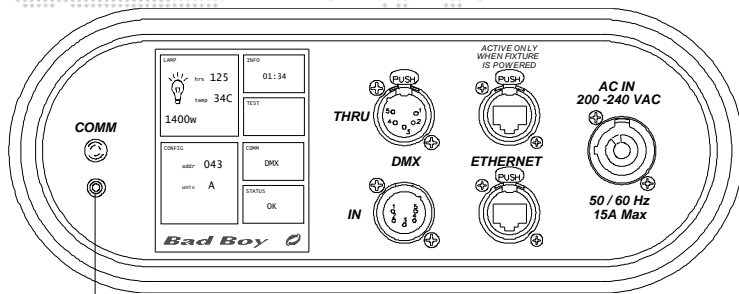
Bypass Calibration

If the menu screen is touched (in the center) and held during startup, the luminaire will present a menu that provides the option to bypass calibration. This feature allows the luminaire to skip the calibration sequence so that it can be powered up in the case for configuration purposes. (Refer to "**Bypassing Calibration**" on page 22.)

On-Board Battery

The luminaire contains an on-board battery so that it can be addressed and configured without being connected to main power.

Some Bad Boy luminaires also have a Battery Wake Switch located below the Comm LED. This momentary switch will engage the on-board battery. While the switch is depressed, the menu interface comes up allowing you to set the DMX address and other configuration changes without applying power to the unit. The motorized functions are automatically disabled when under battery control.



Battery Wake Switch *
 * Not available on all units

Figure 3-2: Battery Wake Switch

Note: The Battery Wake Switch is not available on all units.

Menu System Overview

The menu system consists of a hierarchy of menu levels. Sub-menus, options, and alpha/numeric keypads may be accessed by pressing the blue and red areas of these main screens. Pressing the right bar (X) while at a sub-menu will return to the previous screen.

When power is applied to the luminaire, the Menu Touchscreen will display an initialization screen during calibration. After calibration is complete, the Home screen will be displayed.

The main menu structure is illustrated below:

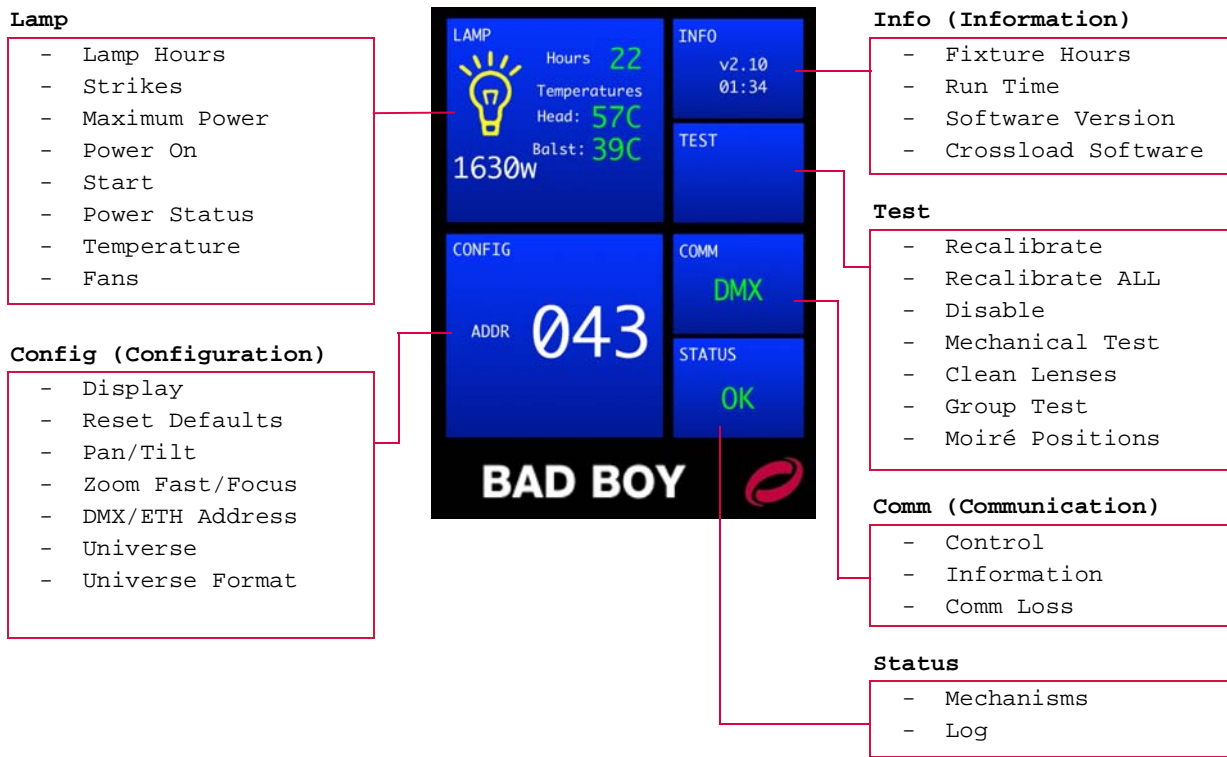


Figure 3-3: Menu Structure

Home Screen

The Home screen consists of several sections (referred to here as "panels") which provide status and configuration information. Pressing the panels on the touchscreen will open the applicable sub-menus.

LAMP Panel

- + **Lamp Status** - displays lamp on/off status, hours, temperature and power level. The lamp icon color indicates status of lamp: off = gray icon, on = yellow icon (shown in example at right), error = red icon.
- + **Power Level** - displays current APS command: 700-1400 watt.
- + **Lamp Hours** - displays total lamp hours. Lamp hours are shown in green if under threshold, yellow at 750 hours, and red at 900 hours. *It is mandatory that the lamp be changed before 900 hours.*
- + **Temperature** - displays luminaire head temperature. The temperature is shown in green if under limit, yellow if close to the limit, and red if over the limit.

Press panel to open [Lamp Screen](#).

CONFIG Panel

- + **Address** - displays current DMX or Art-Net address.
- + **Universe** - displays current Art-Net universe (alpha A-JE or numeric 0-255), if Art-Net is present.

Press panel to open [Configuration Screen](#).

INFO Panel

- + **Run Time** - displays current run time in *hours:minutes* format.

Press panel to open [Information Screen](#).

TEST Panel

Press panel to open [Test Screen](#).

COMM Panel

- + **Comm** - displays currently active input protocol: ETH (green), DMX (green) or NONE (red).

Press panel to open [Communication Screen](#).

STATUS Panel

- + **Status** - displays fixture status: CAL (yellow), OK (green), or ERR (red).

Press panel to open [Status Screen](#).



Ethernet (Art-Net)



Lamp Screen

- + **Lamp Hours** - displays total lamp hours. Lamp hours are shown in green if under threshold, yellow at 750 hours, and red at 900 hours. *It is mandatory that the lamp be changed before 900 hours.* Press to bring up Reset Lamp Hours Yes/No options.
- + **Strikes** - displays number of times the lamp has been struck.
- + **Max Power** - sets maximum power limit. Press to bring up 900/1200/1400 options. (This setting is also accessible from the Control Channel. Refer to [page 42.](#))
- + **Power On** - sets option to strike lamp automatically upon power up. Press to bring up Start/Wait options.
- + **Start/Douse** - displays current lamp status and power setting. Press START/DOUSE to bring up YES/NO options (depending on current lamp state).
- + **Temp** - displays head temperature in Celsius and Fahrenheit. The temperature is shown in green if under limit, yellow at 65°C, and red at 75°C. At 75°C the lamp will douse.
- + **Fans** - displays each individual fan's status: OK if the fan is running, ERR (red) if the fan is disconnected/not running, START (yellow) if the fan is starting up, or OFF (gray) if the fan has been shut off due to extended idle period.

Press EXIT to return to [Home Screen](#).



Configuration Screen

- + **Display** - configures orientation of the Menu Touchscreen. Press to bring up Auto/Up/Down options.
- + **Reset Defaults** - resets all configuration settings and address to default values. Press to bring up "Reset All Defaults" Yes/No options. (Refer to following page for a list of the default settings.)
- + **Pan/Tilt** - displays summary of pan/tilt settings:
 - lock = pan or tilt is locked.*
 - swap = pan/tilt is swapped.
 - invert = pan or tilt is inverted.
 - free = "free" control is enabled (for operating fixture as a follow spot).
 Press to bring up [Pan/Tilt Screen](#).
- + **Zoom Fast/Focus** - option which allow the zoom to move as fast as possible, or to move a little slower and retain focus while zooming.
- + **DMX Address** - displays current DMX512 address. Press to bring up numeric keypad for inputting the address.
- + **Universe** - displays current universe. Press to bring up alpha keypad or numeric keypad, based on universe format selection.
- + **Universe Format** - displays alpha/numeric universe format. Press to bring up Alpha/Numeric options.



Press EXIT to return to [Home Screen](#).

* When Pan and/or Tilt are locked, it prevents the fixture from moving when the power is reset. For example, if a fixture is placed within a piece of scenery that could interfere with Pan and Tilt calibration, they can be locked so that only the internal mechanisms calibrate.

Default Configuration Settings:

- + Address: 001
- + Universe: A
- + Universe Setting: alpha
- + P/T: unlocked
- + P/T: standard (not inverted or swapped)
- + Lamp Setting: 1400W
- + Lamp Power Up: wait
- + Zoom: normal
- + Display: auto

Pan/Tilt Screen

- + **Invert Pan / Invert Tilt** - displays current invert settings. Press to bring up Invert Yes/No options. When inverted, pan/tilt will move in the opposite direction.
- + **Swap** - displays current swap setting. Press to bring up Swap Pan/Tilt Yes/No options. When swapped, the pan channel will control tilt and vice versa.
- + **Free** - displays the current "free" setting. Press to bring up Yes/No options. Yes will enable "free" control, which allows the luminaire to be used as a followspot. (Refer to "**Manual Followspot**" on page 27.)
- + **Lock Pan/Tilt** - displays current lock setting. Press to bring up Lock Yes/No options. When locked, mechanism will not release brake or calibrate, only remain in its fixed position.
- + **Follow Spot** - This panel displays which mechanisms are currently enabled for followspot control (e.g., "intensity," "zoom/iris," "all," "none," etc.) Press to bring up the Follow Spot menu. (See "**Followspot Control**" on page 37 for more information.)



Press EXIT to return to **Lamp Screen**.

Note: Pan/Tilt will default to its last setting.

Information Screen

- + **Fixture Hours** - displays total number of hours that the fixture has been operated.
- + **Run Time** - displays current run time in *hours:minutes* format.
- + **Software** - displays software date and time stamp, and software version name.
- + **Crossload SW** - allows the luminaire to send its software version out over the DMX512 and Ethernet lines to other connected luminaires in the daisy-chain. (See "**Software Crossload**" on page 58 for more explanation of this function.)

Press EXIT to return to **Home Screen**.



Communication Screen

- + **Control** - displays current DMX512 control values. Values will be highlighted in green when changing.
- + **Information** - displays current source (DMX512 or Art-Net/Ethernet), number of bytes in the frame, update rate, and universe number (if Art-Net).
- + **Comm Loss** - configures how long to wait before the fixture fades to black upon loss of comm data. Press COMM LOSS to bring up "Set Trigger Fade After" option. Set to *none*, *30 seconds* or *60 seconds*. (Also refer to "**Configuring Comm Loss Setting**" on page 26.)

Press EXIT to return to **Home Screen**.



Status Screen

- + **Mechanisms** - displays mechanism status. Mechanism names will be shown in yellow while calibrating, then change to green if okay or red if an error exists. Press to bring up Recalibration Screen.
- + **Log** - displays system status log. The log entries are stored in persistent memory and are retained through power down. Use touchscreen arrows to scroll up or down. Press CLR to bring up Clear Log Yes/No options.

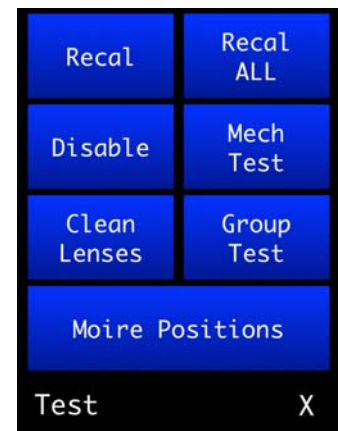
Press EXIT to return to **Home Screen**.



Test Screen

- + **Recal** - press to bring up Recalibration Screen. (During recalibration, intensity goes out until all mechanism calibrations are complete and back in position, then fades in.)
- + **Recall ALL** - press to bring up Re-Cal ALL Yes/No options.
- + **Disable** - press to bring up Disable Screen.
- + **Mech Test** - press to bring up Mechanical Test Screen. (See "**Mechanical Test**" on page 55 for more explanation of this screen.)
- + **Clean Lenses** - press to position lenses so that all surfaces may be cleaned with a cloth. (Note that pressing the button does not actually clean the lenses.)
- + **Group Test** - allows multiple Bad Boy luminaires to be run through a configurable test sequence when chained together via DMX512 or Ethernet. (See "**Group Test**" on page 56 for more explanation of this screen.)
- + **Moiré Positions** - press to bring up Moiré Gobos screen. (See below.)

Press EXIT to return to **Home Screen**.



Moiré Gobos Screen

Moiré gobos contain two pieces of glass: one that is fixed and another that rotates. Due to this construction they do not contain sensors, and therefore cannot be calibrated to a certain orientation at startup as with standard gobos.

The Moiré Gobos screen is used to specify which wheel positions contain Moiré gobos. Press the appropriate position panel to specify. (An "M" will appear.)

Wheel 1	Wheel 2
Pos 1	Pos 1
Pos 2	Pos 2
Pos 3	Pos 3
Pos 4	Pos 4
Pos 5	Pos 5 M
Pos 6	Pos 6
Pos 7	Pos 7
Moire Gobos X	

Test Sub-Menu Screens

ALL	Pan/Tilt
Zoom	Colors
Gobos	Dim/Str/ Iris
Recalibrate X	

ALL	Pan/Tilt
Zoom	Colors
Gobos	Dim/Str/ Iris
Disable X	

Pan	Tilt	Dim
Str	Cyan	Yell
Mag	Des	Gobo1
Ind1	Gobo2	Ind2
Zoom	Iris	Frost
Mech Test X		

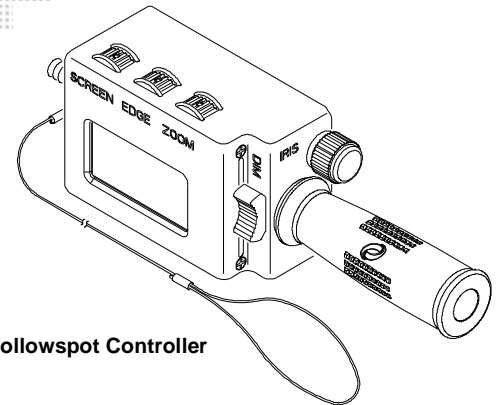
Cleaning Lenses		
Pos1	Pos2	Done

Pan/Tilt	Status	Manual Control
off	OK	
Inten/Iris/Fro	Status	All On
off	OK	
Colors	Status	Sequential/ Concurrent
off	OK	
Gobos	Status	Conc
off	CAL	
Zoom	Status	START
off	ERR	
Group Tests X		

Followspot Control

The Bad Boy Luminaire can be controlled by a PRG Followspot Controller (FSC). In order to interface with this device, followspot functionality and indicators are incorporated into luminaire's menu system.

Note: For more information about FSC installation or operation, refer to the PRG Followspot Controller User Manual (02.9812.0060).

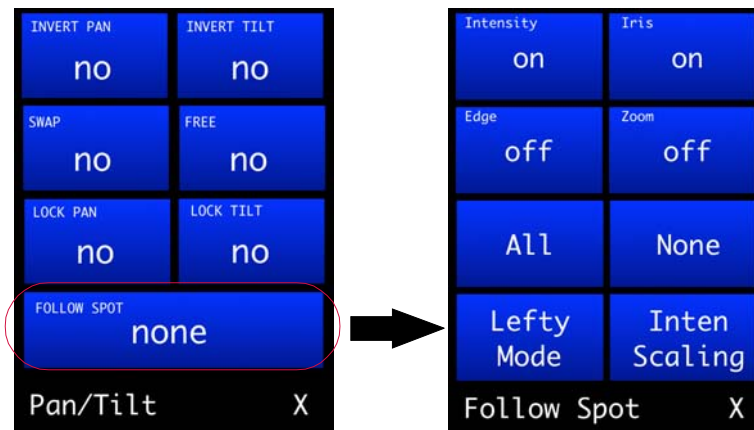


Followspot Controller

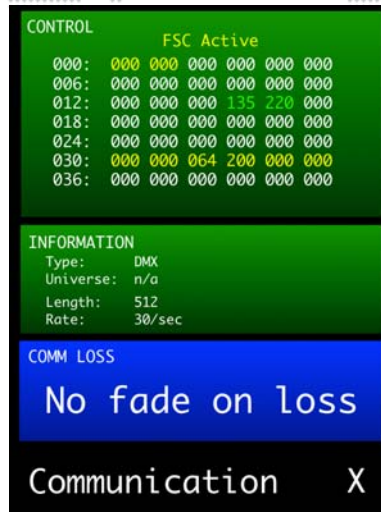
The **Pan/Tilt** menu provides a FOLLOW SPOT panel. This panel displays which mechanisms are currently enabled for followspot control (e.g., "intensity," "zoom/iris," "all," "none," etc.)

Pressing FOLLOW SPOT brings up the **Follow Spot** menu. This menu is used to specify which mechanisms (of the four available) are controlled by a Followspot Controller, which will override DMX control on those mechanisms.

- + **Intensity / Iris / Edge / Zoom** - press to bring up on/off options.
- + **ALL** - enables all four mechanisms.
- + **None** - disables all four mechanisms.
- + **Lefty Mode** - inverts the FSC display to allow it to be used upside down. It also inverts the direction of the intensity fader to work upside down.
- + **Intensity Scaling** - allows the intensity specified by the Followspot Controller to be scaled by the DMX coming into the fixture. If enabled, the intensity value shown on the FSC display will be scaled by the percentage specified in the fixture's incoming DMX intensity slot. For example, if the intensity is set to 80% on the FSC, but the incoming DMX specifies 50% intensity, the resulting output from the fixture will be 40%.



When any or all mechanisms are enabled for followspot control, "FSC Active" will be displayed in the **Comm** menu. The DMX channels associated with the active FSC mechanism(s) will be highlighted in yellow to indicate that those values come directly from the Followspot Controller and are not DMX-controlled.



When any mechanism has been enabled for followspot control, pan and tilt will automatically become free. Pan and tilt will remain free until Followspot mode is turned off (all mechanisms deselected). At that time, upon exiting the **Pan/Tilt** menu, pan and tilt will recalibrate (unless pan/tilt mode is changed to free or locked before exiting the **Pan/Tilt** menu).

When pan and tilt are in Free mode due to followspot mechanisms being activated, "Pan & Tilt follow" will be displayed in the CONFIG panel on the main menu.



Note that the Followspot Controller device does not need to be connected in order to enable followspot control on the luminaire. If there is no FSC connected while in Followspot mode, the selected mechanisms will simply ignore DMX until Followspot mode is exited.

Note: The FSC will control the selected mechanisms whether or not DMX is present on the attached fixture.

DMX512 OPERATION

Channel Mapping

Table 3-1: DMX512 Channel Mapping

Channel	Function	Default	Snap	Refer To Additional Table...
1	Intensity - Hi Byte	0	N	
2	Intensity - Lo Byte	0	N	
3	Pan - Hi Byte	127 (32767)	N	
4	Pan - Lo Byte	255	N	
5	Tilt - Hi Byte	127 (32767)	N	
6	Tilt - Lo Byte	255	N	
7	Cyan - Hi Byte	0	N	
8	Cyan - Lo Byte	0	N	
9	Cyan Control	0	Y	page 40
10	Yellow - Hi Byte	0	N	
11	Yellow - Lo Byte	0	N	
12	Yellow Control	0	Y	page 40
13	Magenta - Hi Byte	0	N	
14	Magenta - Lo Byte	0	N	
15	Magenta Control	0	Y	page 40
16	Designer - Hi Byte	0	N	
17	Designer - Lo Byte	0	N	
18	Designer Control	0	Y	page 40
19	Gobo1 - Hi Byte	0	N	
20	Gobo1 - Lo Byte	0	N	
21	Gobo1 Control	0	Y	page 40
22	Gobo1 Index - Hi Byte	127 (32767)	N	
23	Gobo1 Index - Lo Byte	255	N	
24	Index1 Control	0	Y	page 40
25	Gobo2 - Hi Byte	0	N	
26	Gobo2 - Lo Byte	0	N	
27	Gobo2 Control	0	Y	page 40
28	Gobo2 Index - Hi Byte	127 (32767)	N	
29	Gobo2 Index - Lo Byte	255	N	
30	Index2 Control	0	Y	page 40
31	Zoom - Hi Byte	127 (32767)	N	
32	Zoom - Lo Byte	255	N	
33	Edge - Hi Byte	127 (32767)	N	
34	Edge - Lo Byte	255	N	
35	Beam Iris - Hi Byte	255	N	
36	Beam Iris - Lo Byte	255	N	
37	Strobe	0	N	page 41
38	Frost	0	N	
39	Focus Time	255	Y	page 44
40	Color Time	255	Y	page 44
41	Beam Time	255	Y	page 44
42	Control	0	Y	page 42

Wheel Control

Every wheel, gobo or color, as well as the gobos within a wheel, follow the exact same method of control. Select the mode with the associated control channel: continuous [index], discrete [step], spin, random slow, medium, and fast, with strobe range at the end.

The preceding 16-bit channel sets either your choice (a gobo or color in continuous, discrete, or strobe modes, indexed position for gobos), or your rate (spin/gobo rotation). The strobe speed range at the end sets how fast your selection on the preceding 16-bit channel strobes to open. Gobo wheels, color wheels, and gobos all follow this same logic, and the same control channel ranges.

Setting the Shortest Path: All wheels take the shortest path on a full speed command (instantaneous change to a new DMX value with timing channel set to 0 or 255). If the timing channel is set to enable a timed transition, the wheel will travel the "natural" path, i.e., it will not cross over the home position. Note that many control consoles will execute a crossfade by sending a sequence of incremental DMX value changes, which will explicitly determine the path that the wheel will take.

Table 3-2: Wheel Control

Range	Function	Notes
0-9	Continuous	Continuous wheel positioning
10-19	Discrete	Positioning limited to half panel increments
20-39	Spin	Continuous range from full reverse spin to no spin to full forward spin
40-43	Slow Random	Random strobe - slow rate
44-46	Medium Random	Random strobe - medium rate
47-49	Fast Random	Random strobe - fast rate
50-255	Speed Range	Variable strobe rate from slow to max speed

Table 3-3: Gobo Wheel

Position	DMX Value	Notes
Open	0	DMX values are for full panel positions (Continuous mode).
1	7641	
2	16023	
3	24398	
4	32768	
5	41142	
6	49511	
7	57894	

Table 3-4: CMY Color Wheels

Position	DMX Value	Notes
Open	0	DMX values are for full panel positions (Continuous mode). *
1	8192	
2	16384	
3	24576	
4	32768	
5	40960	
6	49152	
7	57344	This chart applies to all color wheels.

* The wheels are open at DMX value 0 and fully saturated at DMX value 65535.

The diagram below illustrates the wheel control modes:

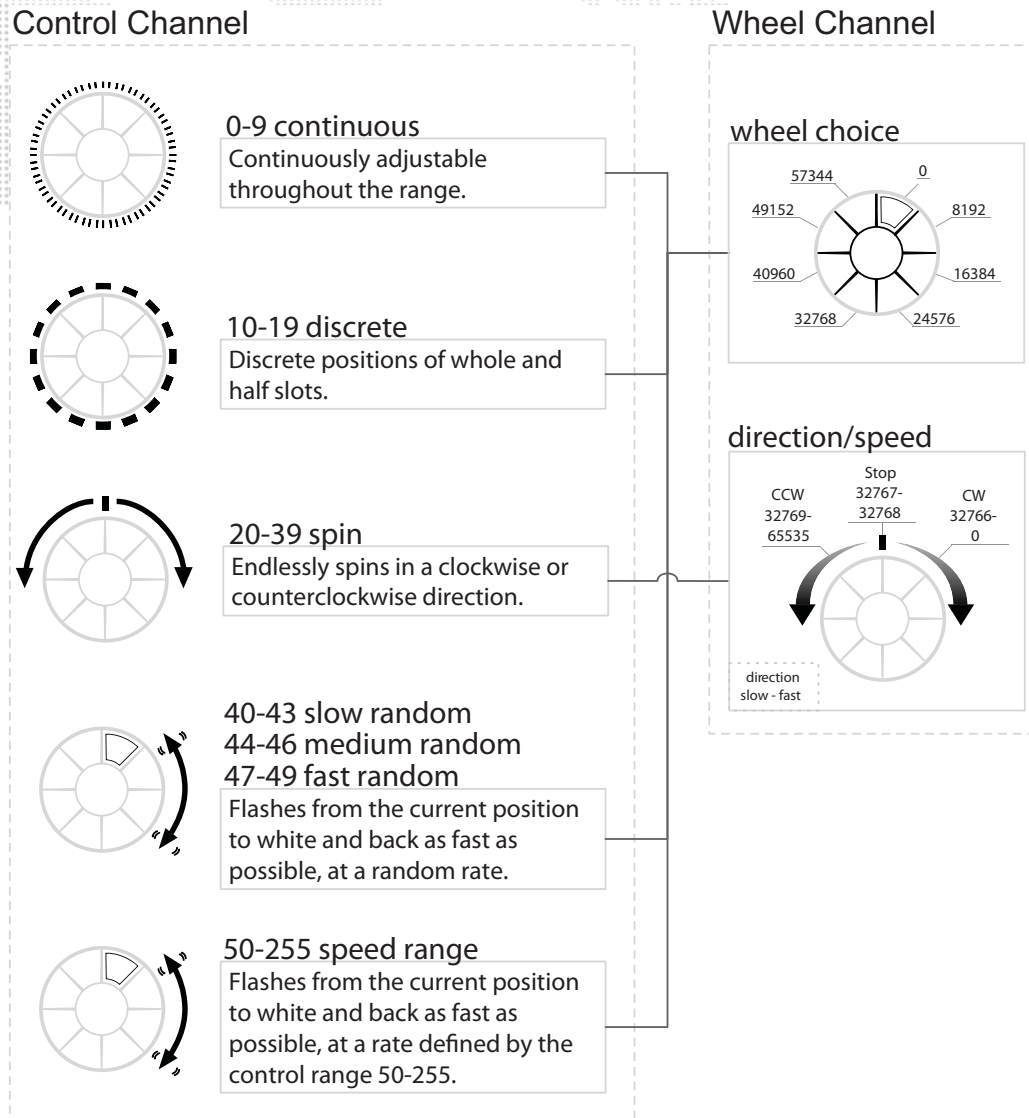


Figure 3-4: Wheel Control Modes

Table 3-5: Strobe Control

Range	Function	Notes
0-9	Open	Strobe fully open
10-19	Closed	Strobe fully closed
20-59	Pulse	Dimmer wheel spin: fast CW - slow - fast CCW
60-99	Ceiling Fan	Strobe blade spin: fast CW - slow - fast CCW
100-102	Slow Random	Random strobe - slow rate
103-106	Medium Random	Random strobe - medium rate
107-109	Fast Random	Random strobe - fast rate
110-255	Speed Range	Variable strobe rate from slow to max speed

Control Channels

All Control Channel functions require that the specified DMX value be held for at least 3 seconds, followed by an immediate change to DMX 0 (without any other DMX values in between).

Zoom tables are dependent on distance to target, so several tables are provided to allow focus zoom at different throws.

Table 3-6: Control Channels

DMX Values (0-255)	Function	Notes
10	Recalibrate: All	
11	Recalibrate: Erred Mechanisms	
12	Recalibrate: Zoom/Edge	
14	Recalibrate: Color	
16	Recalibrate: Gobos	
18	Recalibrate: Dimmer/Strobe/Iris	
19	Recalibrate: Pan/Tilt	
20	Lamp: Douse	
30	Lamp: Start	
40	Lamp Power Limit Select: 1400W	default
45	Lamp Power Limit Select: 1200W	
50	Lamp Power Limit Select: 900W	
55	Lamp: Override Start-Up Power Limit	Overrides default setting: 3 minute warm-up at 1200W or less.
60	Zoom Table Select: 30' Throw	default
62	Zoom Table Select: 50' Throw	Zoom Tables maintain sharp focus on an image throughout the zoom range.
64	Zoom Table Select: 75' Throw	
66	Zoom Table Select: 100' Throw	
68	Zoom Table Select: 300' Throw	
70	Zoom Table Select: 15' Throw	
75	Zoom Speed Select: Maintain Focus	default
77	Zoom Speed Select: Move Fast	
80	Gobo: Set Zero Position	Allows adjustment of the gobo wheel home position.
90	Display: Turn Backlight ON	
95	Display: Turn Backlight OFF	
100	Pan: Lock	
102	Pan: Unlock	
104	Tilt: Lock	
106	Tilt: Unlock	
108	Pan/Tilt: Free Motion	
110	Pan/Tilt: Free Lock	
112	Pan/Tilt: End Free Motion	
120	Clear Logs	
122	Invert Pan	



Table 3-6: Control Channels (Continued)

DMX Values (0-255)	Function	Notes
124	Don't Invert Pan	
126	Invert Tilt	
128	Don't Invert Tilt	
130	Swap Pan/Tilt	
132	Don't Swap Pan/Tilt	
134	Followspot: Intensity/Iris	
135	Followspot: Intensity/Iris/Edge	
136	Followspot: Intensity/Iris/Edge/Zoom	
137	Followspot: Intensity/Iris/Zoom	
138	End Followspot Mode	
139	Followspot: Intensity	
140	Followspot: Intensity/Edge	
141	Followspot: Intensity/Edge/Zoom	
142	Followspot: Intensity/Zoom	
143	Followspot: Iris	
144	Followspot: Iris/Edge	
145	Followspot: Iris/Zoom	
146	Followspot: Iris/Edge/Zoom	
147	Followspot: Edge	
148	Followspot: Edge/Zoom	
149	Followspot: Zoom	
150	Followspot: Turn intensity scaling ON	
152	Followspot: Turn intensity scaling OFF	

Timing Channels

Channel Functions

Timing channel control improves the timed moves of certain groups of parameters. Three timing channels are provided: one for Focus (Pan and Tilt), one for color parameters and one for beam parameters. Timing channels support time values of up to six minutes.

Table 3-7: Channel Function / Timing Channel Relationship

Bad Boy Channel Function	Timing Channel		
	Focus Time	Color Time	Beam Time
Pan	◆		
Tilt	◆		
Cyan		◆	
Yellow		◆	
Magenta		◆	
Color Wheel		◆	
Beam			◆
Frost			◆
Rotating Gobo Wheels 1 & 2			◆
Gobo Index 1 & 2			◆

Timing Channel Mapping

Refer to the **Timing Channels Table** starting on the next page. The following guidelines apply:

- + A timing value of zero is full speed.
- + A time value of 100% (or 255 in DMX) causes the associated parameter(s) to follow cue fade time (console time) rather than the timing channel.
- + Timing channels can be set in either % or 0-255 (DMX) modes, with the values assigned - as shown in the tables.

Table 3-8: Timing Channels

% Value	DMX	= Seconds
	0	Full Speed
	1	0.2
	2	0.4
1	3	0.6
	4	0.8
2	5	1
	6	1.2
	7	1.4
3	8	1.6
	9	1.8
4	10	2
	11	2.2
	12	2.4
5	13	2.6
	14	2.8
6	15	3
	16	3.2
	17	3.4
7	18	3.6
	19	3.8
8	20	4
	21	4.2
	22	4.4
9	23	4.6
	24	4.8
10	25	5
	26	5.2
	27	5.4
11	28	5.6
	29	5.8
	30	6
12	31	6.2
	32	6.4
13	33	6.6
	34	6.8
	35	7.0
14	36	7.2
	37	7.4
15	38	7.6
	39	7.8
	40	8
16	41	8.2
	42	8.4
17	43	8.6
	44	8.8

Table 3-8: Timing Channels (Continued)

% Value	DMX	= Seconds
	45	9
18	46	9.2
	47	9.4
19	48	9.6
	49	9.8
	50	10
20	51	10.2
	52	10.4
	53	10.6
21	54	11
	55	11
22	56	12
	57	12
	58	13
23	59	13
	60	14
24	61	14
	62	14
	63	15
25	64	15
	65	16
26	66	16
	67	16
	68	17
27	69	17
	70	18
28	71	18
	72	18
	73	19
29	74	19
	75	20
30	76	20
	77	20
	78	21
31	79	21
	80	21
	81	22
32	82	22
	83	23
33	84	23
	85	23
	86	24
34	87	24
	88	25
35	89	25

Table 3-8: Timing Channels (Continued)

% Value	DMX	= Seconds
	90	25
	91	26
36	92	26
	93	27
37	94	27
	95	27
	96	28
38	97	28
	98	29
39	99	29
	100	29
	101	30
40	102	30
	103	30
	104	31
41	105	31
	106	32
42	107	32
	108	32
	109	33
43	110	33
	111	34
44	112	34
	113	34
	114	35
45	115	35
	116	36
46	117	36
	118	36
	119	37
47	120	37
	121	38
48	122	38
	123	38
	124	39
49	125	39
	126	39
	127	40
50	128	40
	129	41
51	130	41
	131	41
	132	42
52	133	42
	134	43

Table 3-8: Timing Channels (Continued)

% Value	DMX	= Seconds
53	135	43
	136	43
	137	44
54	138	44
	139	45
55	140	45
	141	45
	142	46
56	143	46
	144	47
57	145	47
	146	47
	147	48
58	148	48
	149	49
59	150	49
	151	49
	152	50
60	153	50
	154	50
	155	51
61	156	51
	157	52
62	158	52
	159	52
	160	53
63	161	53
	162	54
64	163	54
	164	54
	165	55
65	166	55
	167	56
66	168	56
	169	56
	170	57
67	171	57
	172	58
68	173	58
	174	58
	175	59
69	176	59
	177	59
	178	60
70	179	60

Table 3-8: Timing Channels (Continued)

% Value	DMX	= Seconds
	180	65
71	181	65
	182	65
	183	70
72	184	70
	185	75
73	186	75
	187	75
	188	80
74	189	80
	190	85
75	191	85
	192	85
	193	90
76	194	90
	195	95
77	196	95
	197	95
	198	100
78	199	100
	200	110
79	201	110
	202	110
	203	120
80	204	120
	205	120
81	206	130
	207	130
	208	140
82	209	140
	210	140
	211	150
83	212	150
	213	160
84	214	160
	215	160
	216	170
85	217	170
	218	180
86	219	180
	220	180
	221	190
87	222	190
	223	200
88	224	200

Table 3-8: Timing Channels (Continued)

% Value	DMX	= Seconds
	225	200
	226	210
89	227	210
	228	210
	229	220
90	230	220
	231	230
91	232	230
	233	230
	234	240
92	235	240
	236	250
93	237	250
	238	250
	239	260
94	240	260
	241	270
95	242	270
	243	270
	244	280
96	245	280
	246	290
97	247	290
	248	290
	249	300
98	250	300
	251	310
99	252	310
	253	310
	254	310
100	255	Follows Cue Data

Zoom Tables

The zoom tables, which allow the fixture to maintain sharp focus on an image throughout the zoom range, are sensitive to the throw distance. For this reason, a variety of zoom table versions are available for use with different throws. The zoom table is selectable via control channel settings described in "[Control Channels](#)" on page 42. The zoom table setting is persistent and will maintain its value through power cycles. The default setting is 30 feet.

Gobo Set Zero Position

The Gobo Set Zero command allows adjustment of the gobo wheel's home position. When this command is issued, the luminaire sets the current wheel position as the "zero" position and stores this offset so it will be retained at the next startup. This allows correction for a sensor that may be slightly out of position causing the gobo wheel to not be perfectly centered and therefore obstructing part of the beam in the open position.

To set zero position:

- Step 1. Using console, move wheel into desired center position.
- Step 2. Execute Set Zero Position command (Control Channel DMX value 80). The luminaire will now remember the setting as the new zero position.

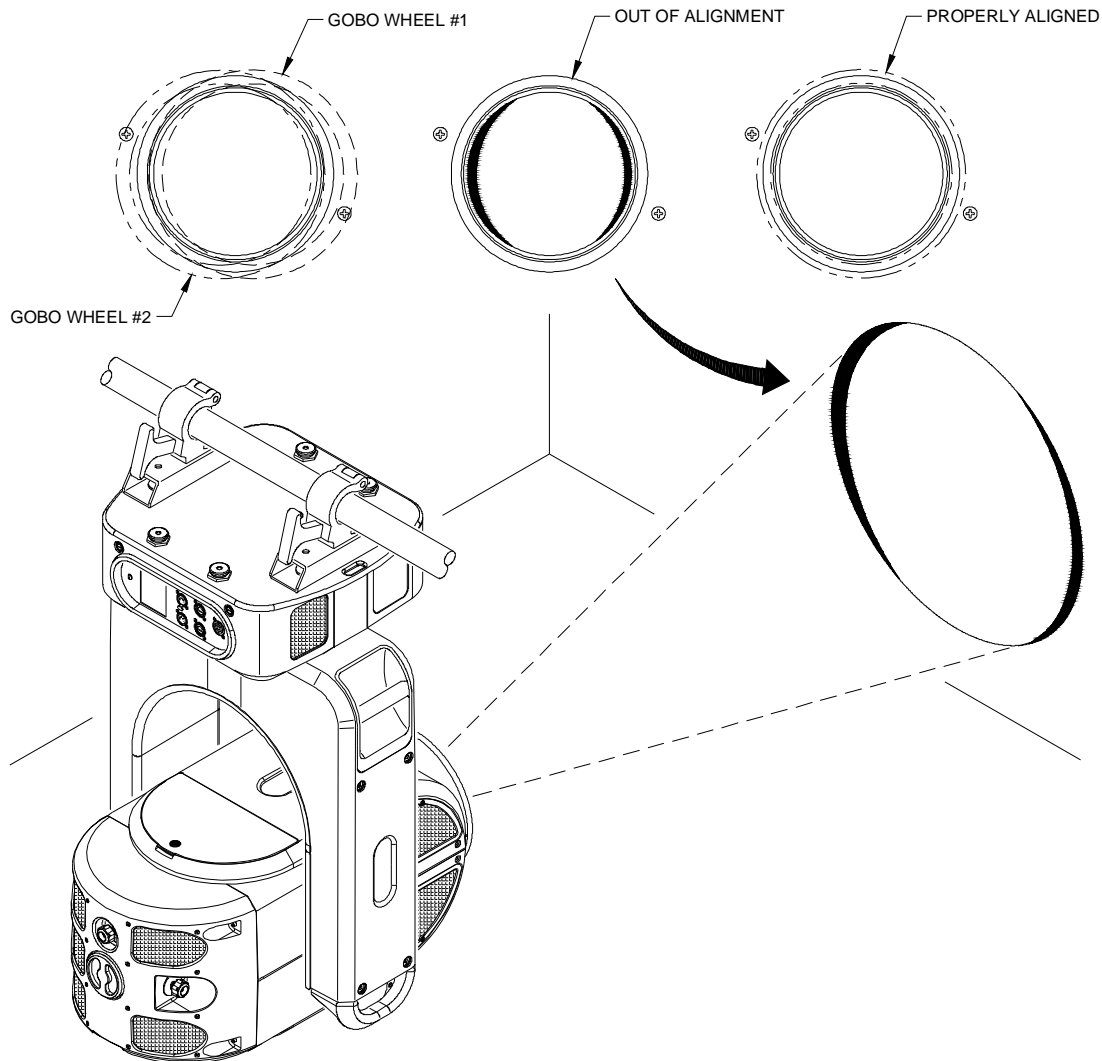


Figure 3-5: Gobo Alignment



4.

TROUBLESHOOTING AND MAINTENANCE

This chapter provides a basic troubleshooting guide, along with procedures for testing, proper handling, and routine maintenance.

- + TROUBLESHOOTING
- + TESTING
- + SOFTWARE UPDATE
- + EQUIPMENT HANDLING
- + ROUTINE MAINTENANCE

TROUBLESHOOTING

Troubleshooting Guide

The following table provides a list of common start-up problems and possible solutions.

Symptom	Solution(s)	Refer to...
No power to luminaire.	Ensure power cable is properly connected to Neutrik input connector.	page 10
	Ensure power is switched on at source (mains, disconnect box, etc.)	n/a
No console control.	Ensure DMX512 or Ethernet data cable is properly connected.	page 19
	Ensure DMX512 address setting is correct.	page 23
DMX512 control not working correctly throughout daisy-chain.	Ensure data cables are correctly configured.	page 19
	Ensure termination connector is installed at last luminaire in data link.	page 12
Lamp does not strike at power-up.	Configure lamp to start at power-up.	page 33
Comm LED is red indicating that no valid DMX or Ethernet signal is detected.	Ensure DMX512 or Ethernet data cable is properly connected. Check console.	page 19
No Ethernet control.	Ensure that luminaire is not also receiving a DMX signal. If both valid DMX and Ethernet control are being received, DMX control will take precedence.	page 22
Beam obstructed by gobo in open position.	Set new gobo zero position.	page 48
Luminaire won't take software update.	Remove active control (DMX512 or Art-Net).	page 58

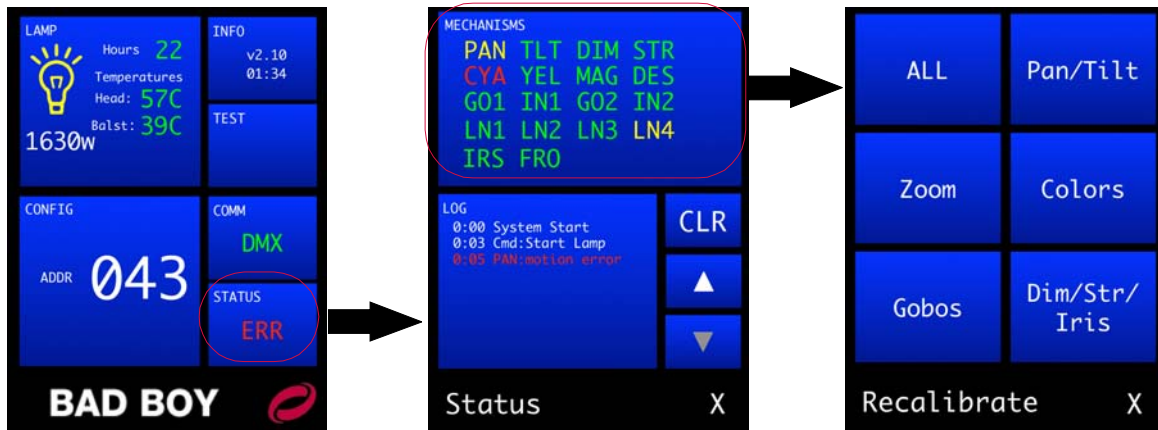
Errors

The Status menus can be used to determine if any luminaire mechanisms are reporting errors. The Status panel at the Home screen will report overall luminaire conditions as follows:

- + CALIBRATION (yellow)
- + OK (green)
- + ERROR (red)
- + LOCKED (white)

Pressing the Status panel will bring up the Status screen (as shown below). The Status screen will indicate which specific mechanisms, if any, have errors. It also provides a log of systems activity. The Status panel operates as follows:

- + **Mechanisms** - displays mechanism status. Mechanism names will be shown in yellow if calibrated, green if okay, and red if an error exists. If an error exists, press the Mechanisms panel to bring up the Recalibration screen. Try recalibrating the mechanism(s) that is reporting the error.
- + **Log** - displays system log. Use touchscreen arrows to scroll up or down. Press CLR to bring up Clear Log Yes/No options.



Mechanism Errors

Errors will be shown after the mechanism code, for example: PAN:Comm Error.

Cal Error	Error resetting position values in motion processor at beginning of calibration	Check CAN cables/connections, motor control board
Cal Timeout	An action during calibration took longer than expected	Check CAN cables/connections, motor control board
Comm Error	Error communicating with motion processor	Check CAN cables/connections, motor control board
Command Error	Error while sending commands to the motion processor	Check CAN cables/connections, motor control board
Error Code	Explanation	Solution
Get Position Error	Error when retrieving current position from motion processor	Check CAN cables/connections, motor control board
Hall Sensor Edge	Found sensor, but couldn't find far edge	Check for mechanism motion, sensor operation
Init Error	Error during initialization of motion processor	Check CAN cables/connections, motor control board
Motion Error	Mechanism's actual position is too far from its commanded position	Check mechanism motion
No Sensor	During calibration, no sensor was found in the range of travel	Check for mechanism motion, sensor operation
No Stop	Mechanism which calibrates to a physical stop did not find that stop	Check mechanism
Profile Change Error	Error while sending profile change command to motion processor	Check CAN cables/connections, motor control board
Sensor Stuck	During calibration, could not find either edge of the sensor or the sensor did not turn off as expected	Check for mechanism motion, sensor operation
Spin Error	Error while sending spin command to motion processor	Check CAN cables/connections, motor control board
Spin Stop Timeout	Spinning mechanism did not come to rest in the given period	Check CAN cables/connections, motor control board
Stop Spin Error	Error while sending stop spin command to motion processor	Check CAN cables/connections, motor control board

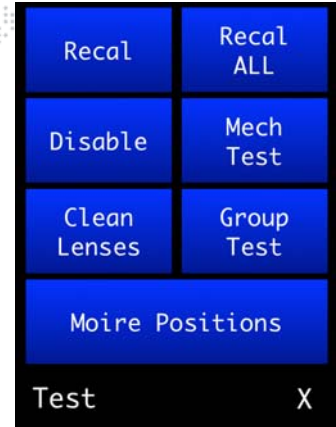
Other Errors

CAN Comm Error	Stopped receiving CAN messages from motion processor	Check CAN cables/connections, motor control board
Crossload Timeout	Crossload execution took too long due to error	Remove any incoming DMX, retry
Data not crossload format	Data in memory is not proper format for crossload	Load software via computer
DMX busy: cancel crossload	Cannot execute crossload with traffic on DMX line	Remove incoming DMX control for cross load
DMX: UART transmit error	Transmit buffer busy when trying to send	Remove any incoming DMX, retry
Error Code	Explanation	Solution
Gobo out of zero range	When zeroing gobo wheels, the wheel is too far away from zero to set the position	Move wheel closer to home position before zero command
Lamp Off	Fan Error: Cannot strike lamp while any fan is in error state	Check fan, fan cabling
Lamp over threshold	Lamp hours above recommended maximum	Change lamp
Main Fan Error	Main fan CAN messages not received or fan not running properly	Check fan, fan cabling
Pan/Tilt Aux Encoder Error	Auxiliary encoder value is too far from the main encoder value	Check auxiliary encoder and cabling/connections
Pinch Fan Error	Pinch fan not running properly	Check fan, fan cabling
Stack Fan Error	One or more stack fans not running properly	Check fan, fan cabling
Temp over threshold	Temperature too high	Check fans/filters
UPE Fans Error	Upper Enclosure fans not running properly	Check fan, fan cabling

TESTING

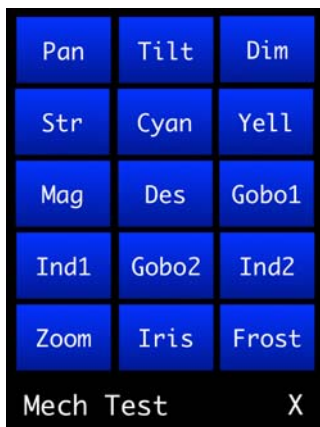
Test Screen

- + **Recal** - press to bring up Recalibration Screen. (During recalibration, intensity goes out until all mechanism calibrations are complete and back in position, then fades in.)
- + **Recall ALL** - press to bring up Re-Cal ALL Yes/No options.
- + **Disable** - press to bring up Disable Screen.
- + **Mech Test** - press to bring up Mechanical Test Screen. (See "**Mechanical Test**" on page 55 for more explanation of this screen.)
- + **Clean Lenses** - press to position lenses so that all surfaces may be cleaned with a cloth. (Note that pressing the button does not actually clean the lenses.)
- + **Group Test** - allows multiple Bad Boy luminaires to be run through a configurable test sequence when chained together via DMX512 or Ethernet. (See "**Group Test**" on page 56 for more explanation of this screen.)
- + **Moiré Positions** - press to bring up Moiré Gobos screen, which provides a way to specify the wheel positions containing Moiré gobos. Moiré gobos contain two pieces of glass: one that is fixed and another that rotates. Due to this construction they do not contain sensors, and therefore cannot be calibrated to a certain orientation at startup as with standard gobos.



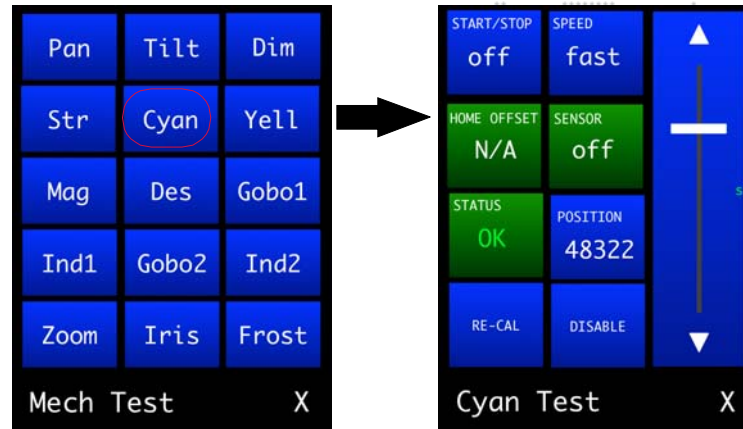
Press EXIT to return to **Home Screen**.

Test Sub-Menu Screens



Mechanical Test

The Mechanical Test menu provides a method for exercising all luminaire mechanisms individually. Each mechanism has a similar Test screen, Cyan is shown in the example below:



The following test functions are available:

- + **Test Chase** - The mechanism will move back and forth between two positions. The START/STOP button starts and stops the motion, and the SPEED button sets the rate of the motion. For mechanisms with sensors, one of the positions will be on the sensor and the other position will be off.
- + **Manual Control** - The slider on the right side of the screen moves the mechanism through its range of travel, manually. Tapping the arrows will move the mechanism in half panel increments.
- + **Feedback** - The current status of the mechanisms encoder (POSITION) and sensor (SENSOR) are shown (if available for that mechanism). STATUS indicates whether the mechanism is in an error state or normal operating state.
- + **Manual Position Entry** - Press POSITION to enter a value for the mechanism's position.
- + **Utility Functions** - Press RE-CAL to recalibrate the mechanism or DISABLE to turn off the motor control to allow the mechanism to move freely.
- + **Configuration Information** - HOME OFFSET indicates whether the home position* has been adjusted to fine tune sensor positions (applies to gobo wheel only, see Control Channel table on [page 42](#) for zero wheel mechanism).

* Due to small variations in sensor and sensor board positions, the open position on a gobo wheel might not be precisely aligned with the optical axis, creating a slight blockage on one side of the open beam. Adjust the wheel position via DMX to get the proper alignment and send the HOME OFFSET command to store the current position as the new "home" position. This position is stored in persistent memory and will be used going forward as the home position.

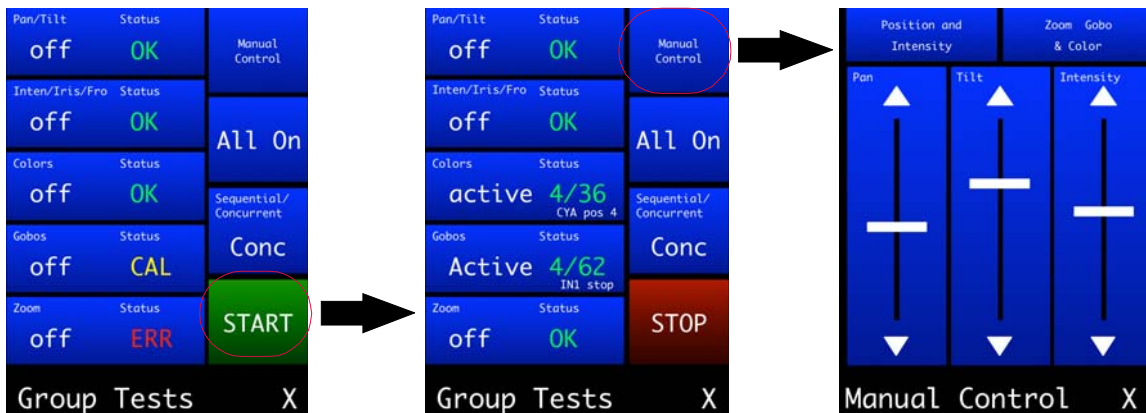
Group Test

The Group Test menu allows multiple Bad Boy Luminaires to be run through a configurable test sequence when chained together via DMX512 or Ethernet. (Refer to "[Connecting Power and Data](#)" on page 19 for more information about daisy-chaining.)

To perform a group test:

- Step 1. At Group Test screen, select options to run: Pan/Tilt, Intensity, Colors, Gobos, and/or Zoom.
- Step 2. Select test option: *concurrently* (all selected tests are run at once) or *sequentially* (tests are run one at a time as each one finishes).
- Step 3. Press START to begin testing. All Bad Boy luminaires connected to the main fixture (now referred to as the "Master") will become "Slaves" and follow the test routine set on the Master in an endless loop.
- Step 4. To stop the test sequence, press STOP on the Master.

While in group test, a Master can manually change certain values by using the Manual Control screen. From here, you can adjust the levels of parameters not active in the test sequence. For example, if a test were running on gobos and colors, you can adjust the pan and tilt to point the Master and all Slaves to a position where it will be easier see the output of the fixtures.



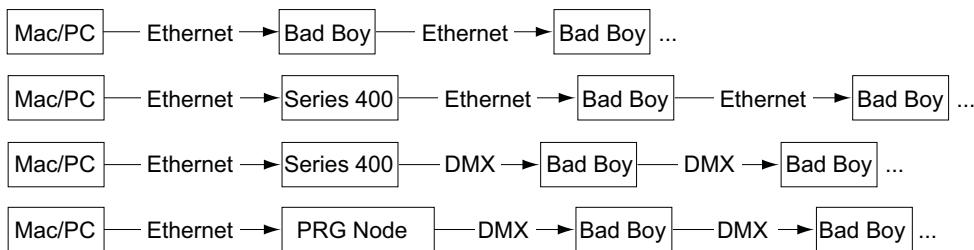
SOFTWARE UPDATE

Software Update Using LumLoader Application

Introduction

The LumLoader application allows you to update the software in a Bad Boy Luminaire. The update will be sent over an Ethernet connection. The luminaire can take the Ethernet input directly, or the update can be translated to DMX512 signal with an appropriate device, either Series 400® or a Virtuoso® Node (with the required software update). The fixtures can be daisy-chained to load multiple fixtures at once.

Supported configurations:



Note: There should be no active control (DMX512 or Art-Net) during the update process.

Preparation - Java

The loader (LumLoader) is a Java application which can be run on a Mac or a PC computer.

Note: For Microsoft Windows® users: Windows does not come with the required Java run-time library installed, so you may need to go to the Sun website (java.com/getjava/) to download Java.

Selecting an Ethernet Interface

Connect the computer to the system, and start the LumLoader application. When the application starts, it will ask which active Ethernet port should be used. Select the appropriate port. You may be able to differentiate the ports by IP address, compared with your network setup. Typically the en0 is the first built-in Ethernet port, and other interfaces could include additional network ports or wireless adapters.

Selecting the Module

The loader can support multiple versions of software, so make sure the appropriate version is selected. The default version will typically be fine.

Download the Software

Press "Start Download" to initiate the update. You should see the luminaires immediately drop into the startup screen and erase flash, which takes about 30 seconds. Then the new module is sent out, the screen indicates "Loading", and when complete they will go back to the main menu and start calibration.

If the fixture already has the update software version, it will not complete the update.

Note: There is a bug in some versions of the boot software that causes the screen to go white during the update process. Let the download complete before resetting the fixture, it will usually work fine.

Troubleshooting

- + If the LumLoader application does not start up, make sure the Java library is installed.
- + Make sure the network port is active before starting the application. Sometimes it takes several seconds for the operating system to recognize the network link.
- + Make sure there is only one instance of the LumLoader application running.
- + Wireless should be disabled on the computer.

Software Crossload

The Information menu provides a method for sending a luminaire's current software version to all connected luminaires. (Luminaires can be daisy-chained via DMX512 or Ethernet.)

To initiate the software crossload, press "Crossload SW" at the Information screen. At confirmation screen, press "Yes." If a connected luminaire already has that software version, it will do nothing. If it does not have the same version, it will go into the boot screen and start updating.

Note: There should be no active control (DMX512 or Art-Net) during the update process.



EQUIPMENT HANDLING

Proper Lamp Servicing and Operation

Servicing

- + When handling a lamp, hold it by the ceramic base while wearing cotton gloves or finger cots. Do not touch the glass envelope (bulb). If you touch the glass with bare fingers, wipe off any fingerprints with alcohol.

Heat

- + When lamps are lit, the interior of the luminaires becomes very hot. To aid in the airflow circulation within the luminaires, after dousing the lamps, wait 5 minutes before removing power to the luminaires. This will provide enough time for the equipment fan to cool off the unit.

Lamp Life

- + When operating arc lamps, allow luminaires to operate for at least 3 minutes. It takes about 3 minutes for the fill components (mercury and halogen-metal compounds) in the lamp tubes to vaporize completely. If the lamps are switched off earlier than 3 minutes, the fill components are partially vaporized. The inadequately vaporized fill components and the electrode material (tungsten) are deposited in the areas of the lamp tubes that have remained cool. As a result, the lamp tubes blacken prematurely and reduce the service lives of the lamps.
- + If system will be unattended for more than 3-4 hours, luminaire lamps should be doused.
- + The Bad Boy lamp indicator (available on the menu Home screen) displays total lamp hours. Lamp hours are shown in green if under threshold, yellow at 750 hours, and red at 900 hours. *It is mandatory that the lamp be changed before 900 hours.*



CAUTION: It is mandatory that the lamp be changed before 900 hours.

ROUTINE MAINTENANCE

Removing the Head Covers

To access some interior head components, one or both of the Head Covers may need to be removed.

Parts:

21.9812.0630 2 EA ASSY, HEAD COVER

Tools:

#2 Philips screwdriver (manual screwdriver only)

To remove Head Covers:

- Step 1. At Head Cover, remove two 8-32 x 3/8" PPB screws (Figure 4-1).
- Step 2. Remove Head Cover from luminaire.

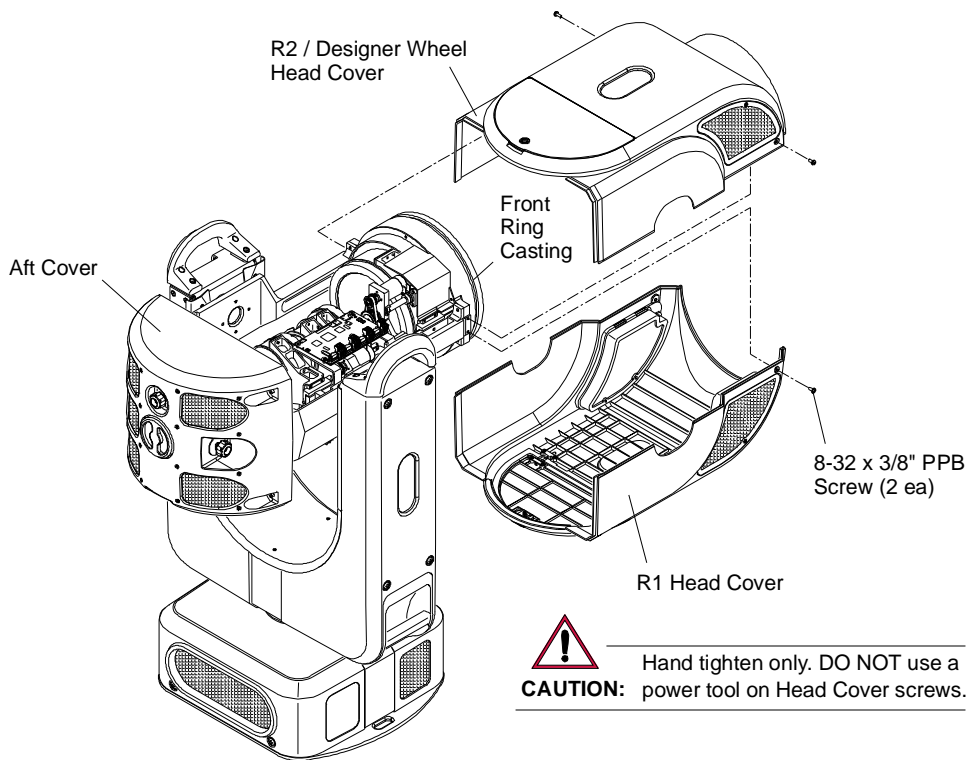


Figure 4-1: Removing Head Covers



CAUTION: DO NOT use a power screwdriver when re-installing the 8-32 x 3/8" PPB screws. This may damage the hole threads. *Use a manual screwdriver only!*

Step 3. Replace Head Cover as follows:

- a. Set cover in place and slide rear corners under lip of Aft Cover.
- b. At front of Head Cover, press with equal pressure on both sides until leading edge of cover snaps into place under front ring casting. (You will hear a "pop" when the cover snaps into place.)
- c. Using manual #2 Philips screwdriver, re-install screws.

Removing the Aft Cover

To access some interior head components, the Aft Cover may need to be removed.

Parts:

21.9812.0612 1 EA ASSY, AFT COVER w/ BAFFLE

Tools:

5/32" Allen wrench, T-bar

To remove Aft Cover:

- Step 1. At Aft Cover, remove X, Y, and Z Adjustment Knobs (**Figure 4-2**).
- Step 2. Remove four 10-32 x 3/8" socket head screws.
- Step 3. Carefully remove Aft Cover from luminaire.

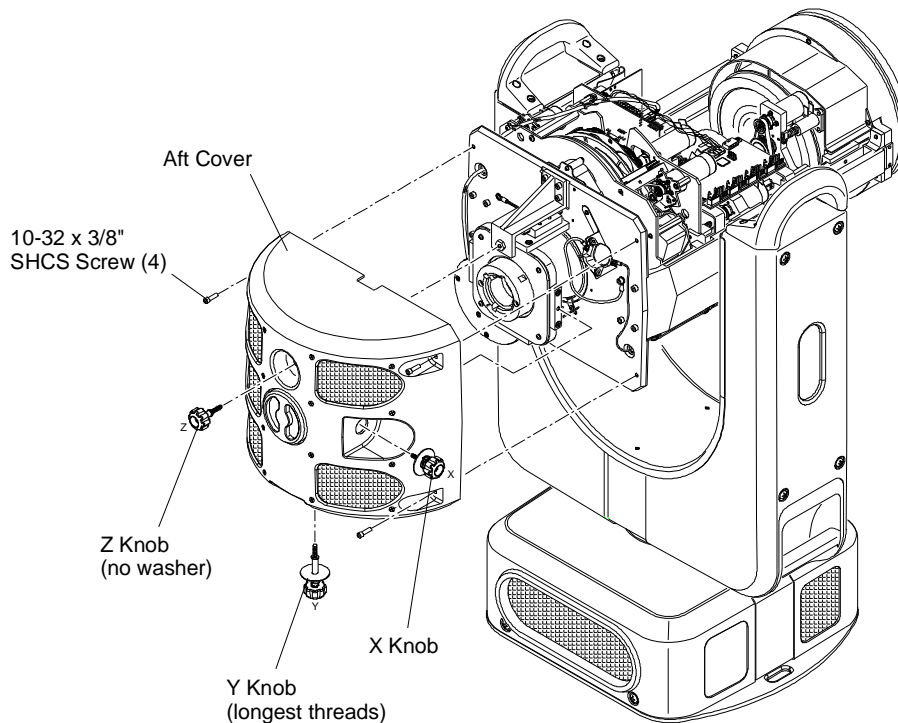


Figure 4-2: Removing Aft Cover

- Step 4. Replace Aft Cover as follows:
 - a. Slide cover into place.
 - b. Re-install X, Y, and Z Adjustment Knobs. *Note that each knob is different. Be sure to install the correct knob in the correct location.*
 - c. Re-install four 10-32 x 3/8" socket head screws.
 - d. Re-align lamp. (Refer to **"Adjusting the Lamp"** on page 72.)

Note: In order to prevent heat from escaping the rear bulkhead area and moving into the main head assembly, aluminum tape has been used to seal the backcap perimeter, fan wire hole, and back side of pinch fan. Re-apply new tape before re-installing the Aft Cover. Refer to technical bulletin BAD-002 for more information.

Removing the Enclosure Covers

To access interior enclosure components, one or both of the Upper Enclosure Covers may need to be removed.

Parts:

21.9812.0820	1 EA	ASSY, EXHAUST COVER, UPPER ENCLOSURE
21.9812.0830	1 EA	ASSY, INTAKE COVER, UPPER ENCLOSURE

Tools:

#2 Philips screwdriver

To remove Upper Enclosure Covers:

- Step 1. At Upper Enclosure Cover, loosen two captive screws.
- Step 2. Remove cover by pulling straight out until lip clears yoke support.



CAUTION: The Upper Enclosure Covers are not identical. One is for the Intake side and one for the Exhaust side. Be sure to re-install covers in the proper location.

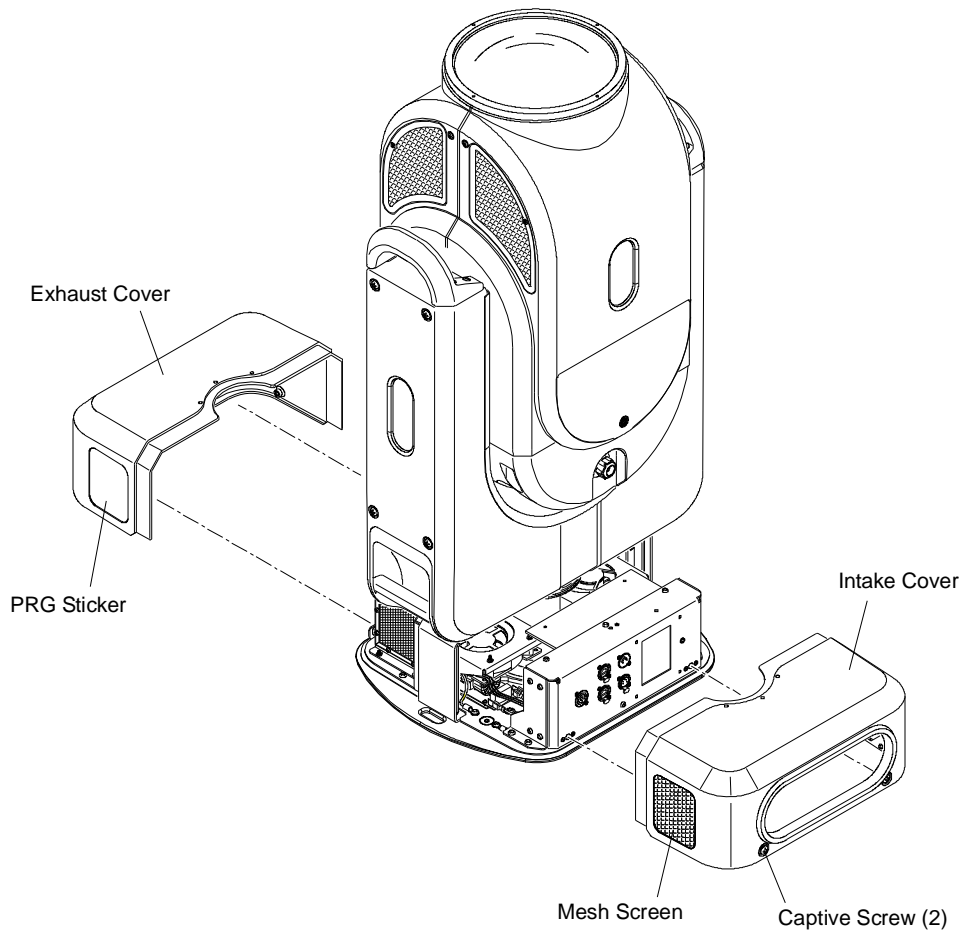


Figure 4-3: Removing Upper Enclosure Covers

Cleaning the Head Electrostatic Filters

The electrostatic filters should be cleaned or replaced when they are dirty. The frequency will depend on how often and in what conditions the luminaire is used.

Tools:

#2 Phillips screwdriver
Compressed air *and/or* water

Parts:

10.9812.0661	2 EA	HEAD AIR FILTER FOAM
10.9812.0662	2 EA	HEAD AIR FILTER ELECTROSTATIC

To clean head filters:



WARNING: Remove power from luminaire before performing any maintenance procedures.

- Step 1. Remove power from luminaire.
- Step 2. At each mesh cover, loosen one captive screw (**Figure 4-4**).
- Step 3. Remove foam and electrostatic filters.
- Step 4. Clean foam and electrostatic filters with compressed air and/or by washing with water.
- Step 5. Re-install components.
- Step 6. Repeat for second set of filters.

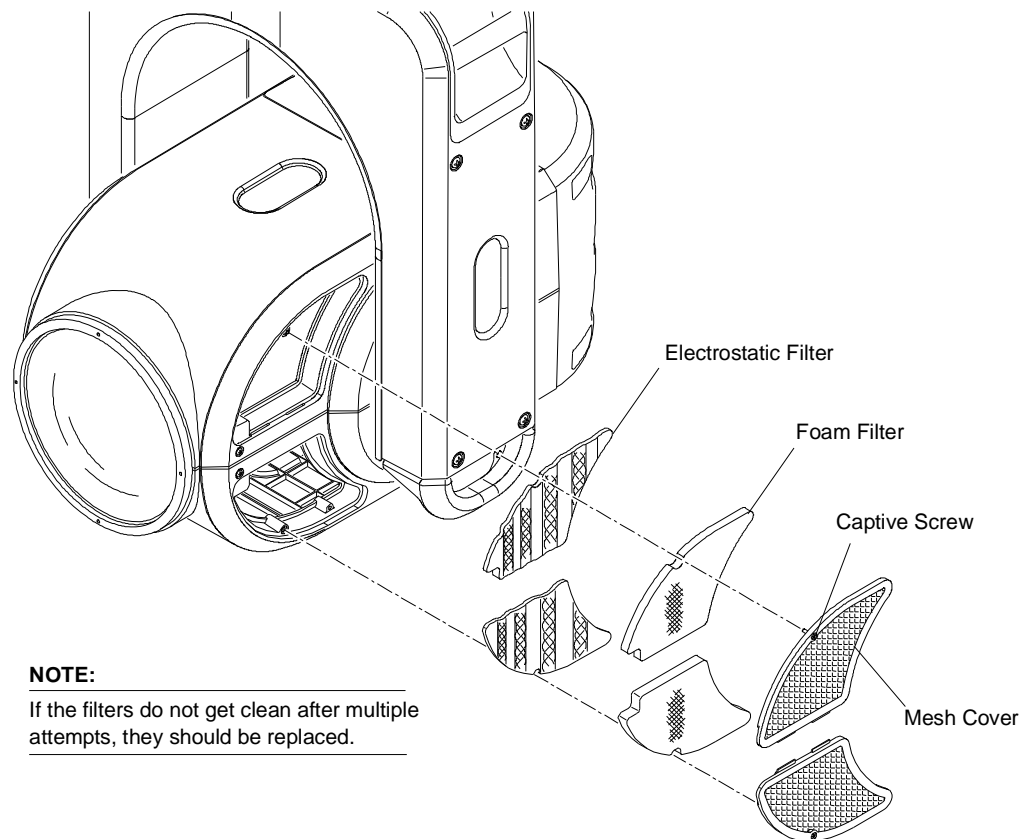


Figure 4-4: Removing Head Filters

Cleaning the Enclosure Intake Filters

The intake filters should be cleaned or replaced when they are dirty. The frequency will depend on how often and in what conditions the luminaire is used.

Tools:

#2 Phillips screwdriver
Compressed air *and/or* water

Parts:

40-9812-0834 2 EA AIR INTAKE FILTER

To clean enclosure intake filters:



WARNING: Remove power from luminaire before performing any maintenance procedures.

Step 1. Remove power from luminaire.

Step 2. Remove Intake Cover by first loosening two captive screws, then pulling away from Upper Enclosure as shown in **Figure 4-5**.

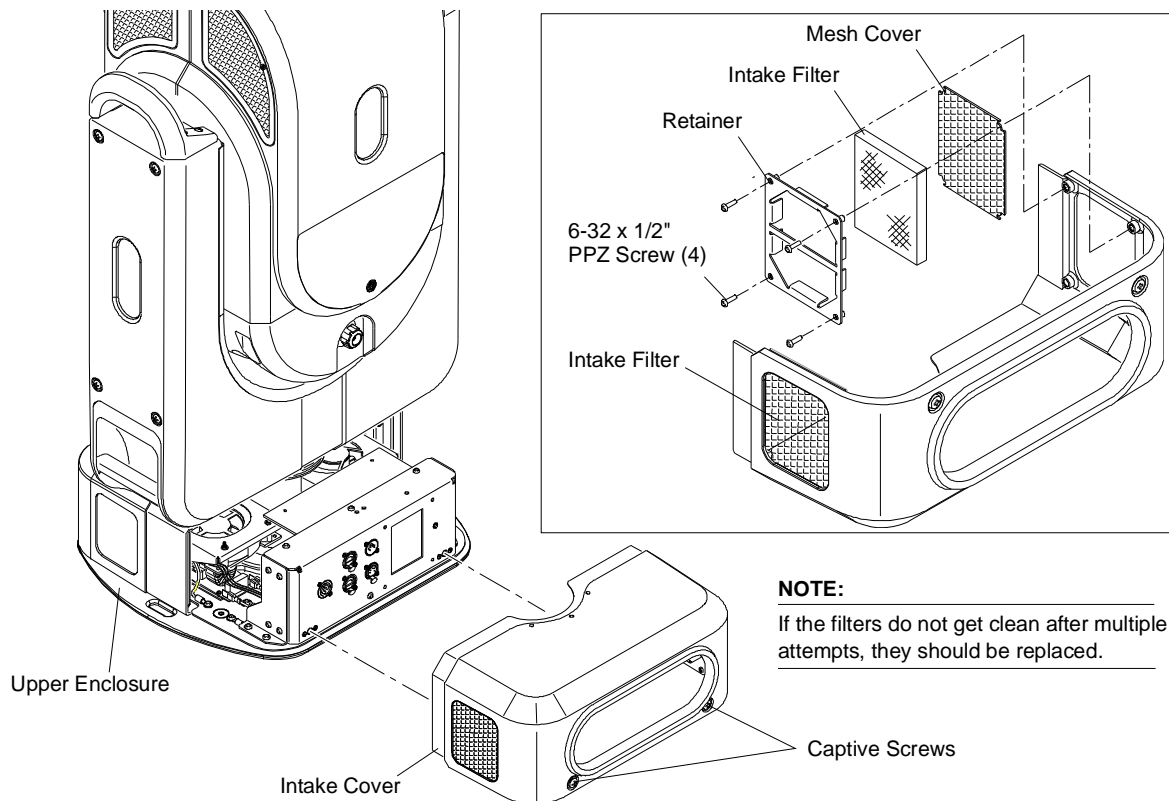


Figure 4-5: Removing Enclosure Intake Filters

Step 3. At retainer, remove four 6-32 x 1/2" PPZ screws.

Step 4. Remove intake filter.

Step 5. Clean filter with compressed air and/or by washing with water.

Step 6. Re-install components.

Step 7. Repeat for second intake filter.

Cleaning the Luminaire Exterior

Tools:

- Lint-free cloth
- Window cleaner
- Vacuum cleaner with brush nozzle or compressed air
- #2 Phillips screwdriver

To clean luminaire:



WARNING: Remove power from luminaire before this procedure.



CAUTION: Use ONLY OptiMax™ Ultra Pure Cleaning Solution to clean optical components. DO NOT use Window Cleaner on lens!

- Step 1. Remove power from luminaire.
- Step 2. Using vacuum cleaner with brush nozzle or compressed air, clean dust from external components. *If using compressed air to clean out luminaire, DO NOT allow fans or blower to spin at high speeds, as this will damage their bearings.*
- Step 3. Using window cleaner and a clean, lint-free cloth, wipe outside surface of luminaire.
DO NOT use window cleaner on lens!

Cleaning the Lenses

Tools:

- (2) Micro Fiber cloths (06.6085.0001.0)
- OptiMax™ Ultra Pure Cleaning Solution (06.6084.0001.0)
- Cotton gloves or finger cots
- #2 Phillips screwdriver
- #2 flat screwdriver

To clean lenses:

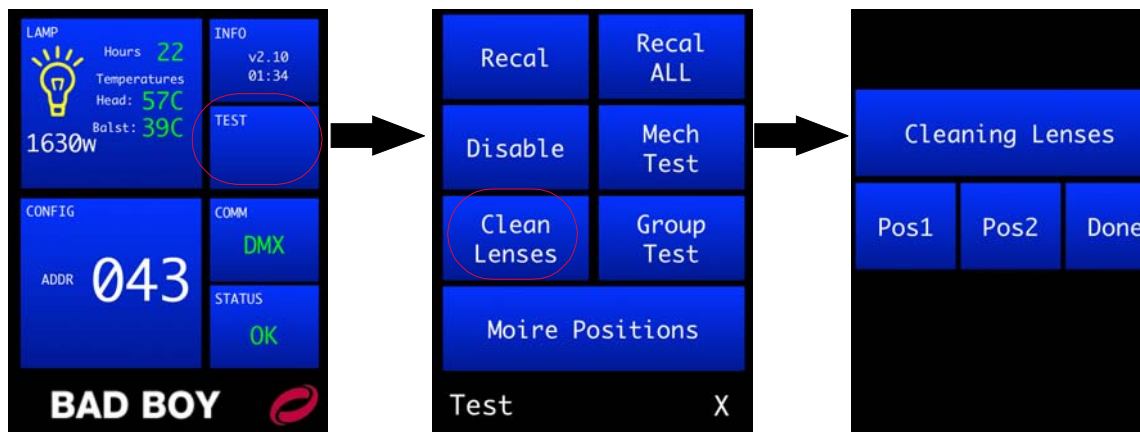


CAUTION: Use caution when handling lenses. Avoid scratching optical surfaces.



CAUTION: Use ONLY OptiMax™ Ultra Pure Cleaning Solution to clean optical components. DO NOT use Window Cleaner on lenses! Wear cotton gloves or finger cots when handling lenses/glass.

- Step 1. Apply power to luminaire and set intensity to 20%. (A beam will be necessary to see dirt and dust on the lenses.)
- Step 2. Remove R1-side head cover to access Zoom Lens Assembly (head cover doors have a label to identify them). See **Figure 4-7** on [page 67](#).
- Step 3. At menu TEST screen, press "Clean Lenses." The Cleaning Lenses screen will open.
- Step 4. Press "Pos1" to position lenses in first cleaning configuration.



CAUTION: When cleaning, do not allow the cleaning cloth to come into contact with the lens carrier rail. The rail has lubrication that will contaminate the cleaning cloth. Wear cotton gloves or finger cots.

- Step 5. If lenses are only dusty, use Micro Fiber cloth to carefully wipe lens surfaces. If further cleaning is required, use OptiMax™ Ultra Pure Cleaning Solution and a Micro Fiber cloth to clean. **DO NOT use window cleaner!**
- Step 6. At menu, press "Pos2" to position lenses in second cleaning configuration. (This will allow access to the remaining lens surfaces.)
- Step 7. As in Step 5 above, clean remaining lens surfaces and front of luminaire Front Glass.
- Step 8. To clean backside of Front Glass and front of Lens Group 4, remove Front Glass as follows:
 - a. Position luminaire head so that Front Glass is facing upward. (To prevent it from falling onto the floor when the Retaining Ring is removed in the next step.)
 - b. Insert flat screwdriver under notch in Front Lens Retaining Ring. Carefully remove Retaining Ring.
 - c. Remove Front Glass and place facedown on a Micro Fiber cloth.

- d. Using OptiMax™ Ultra Pure Cleaning Solution and a Micro Fiber cloth, clean both sides of Front Glass and front of Lens Group 4. *DO NOT use window cleaner!*
- e. Re-install Front Glass.

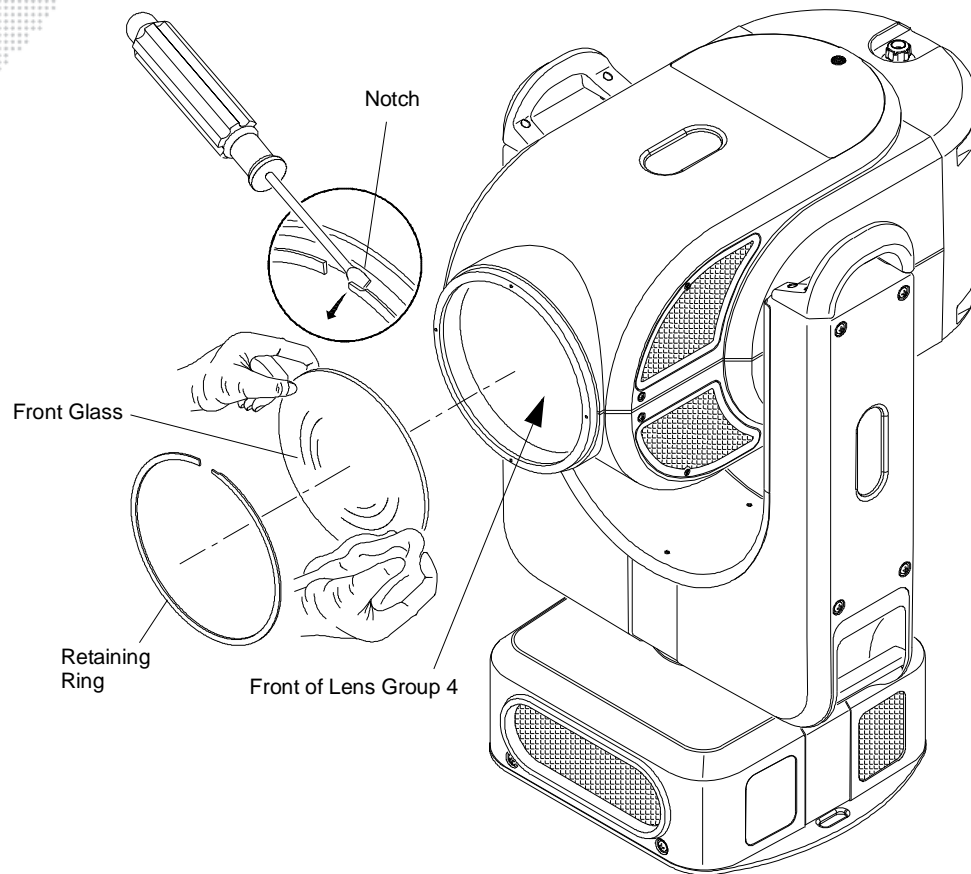


Figure 4-6: Removing Front Glass



CAUTION: "Done" MUST BE pressed at the menu to complete the procedure. If the lens motors are left in the cleaning configuration for too long, they may be damaged due to overheating.

Step 9. At menu, press "Done." This will free the motors and recalibrate the lenses.

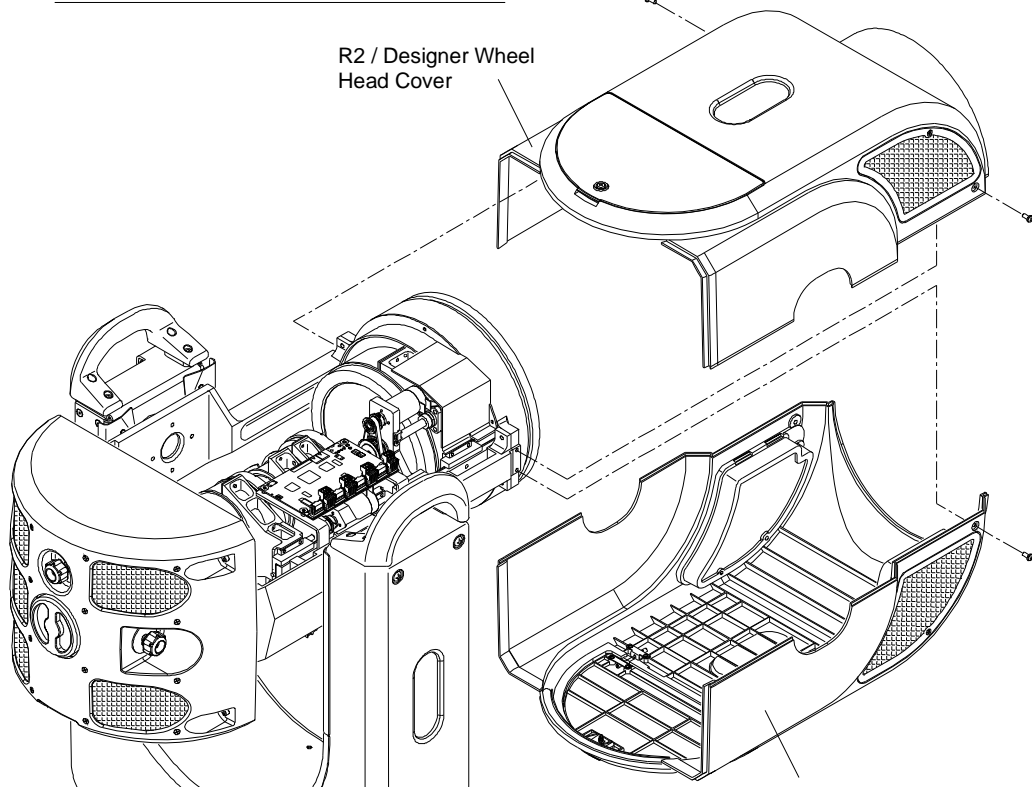
Step 10. Replace head cover.



CAUTION: Hand tighten only. DO NOT use a power tool on Head Cover screws.

8-32 x 3/8" PPB Screw (2 ea)

R2 / Designer Wheel Head Cover



R1 Head Cover
Remove to Access Lenses

ZOOM LENS ASSEMBLY DETAIL

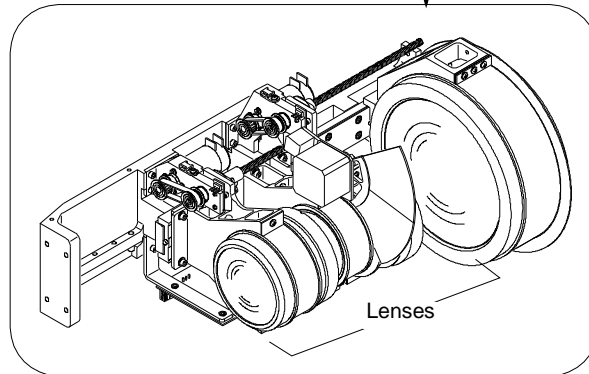


Figure 4-7: Accessing Zoom Lens Assembly

Cleaning Gobo, Color and Dimmer Wheels

Tools:

- Micro Fiber cloth (06.6085.0001.0)
- OptiMax™ Ultra Pure Cleaning Solution (06.6084.0001.0)
- Cotton gloves or finger cots
- #2 Phillips screwdriver

To clean gobo, color and dimmer wheels:



CAUTION: Use ONLY OptiMax™ Ultra Pure Cleaning Solution to clean optical components. DO NOT use Window Cleaner on gobo, color, or dimmer wheels! Wear cotton gloves or finger cots when handling optical components.



CAUTION: The optical components are very fragile, use extreme caution when cleaning! Color gobos have thin layers applied to one side that can be damaged if cleaned too roughly. Use caution.



WARNING: Remove power from luminaire before this procedure.

- Step 1. Remove power from luminaire.
- Step 2. Remove Head Covers. (Refer to "[Removing the Head Covers](#)" on page 60.)
- Step 3. To clean Gobos:
 - a. Remove each gobo. (Refer to "[Replacing a Gobo](#)" on page 73.)
 - b. Using OptiMax™ Ultra Pure Cleaning Solution and a Micro Fiber cloth, carefully clean gobos.
DO NOT use window cleaner!
- Step 4. To clean Designer Wheel:
 - a. Remove each filter. (Refer to "[Replacing a Designer Color Filter](#)" on page 76.)
 - b. Using OptiMax™ Ultra Pure Cleaning Solution and a Micro Fiber cloth, carefully clean filters.
DO NOT use window cleaner!
- Step 5. To clean Color Wheels:
 - a. Using OptiMax™ Ultra Pure Cleaning Solution and a Micro Fiber cloth, carefully clean color wheels.
DO NOT use window cleaner!
 - b. Rotate wheels to access all surfaces. It will also be necessary to rotate the Gobo Wheel in order to use the gobo "open" position to access some parts of the Color Wheel.
- Step 6. To clean Dimmer Wheel:
 - a. Using OptiMax™ Ultra Pure Cleaning Solution and a Micro Fiber cloth, carefully clean Dimmer Wheel.
DO NOT use window cleaner!
 - b. Rotate wheel to access all surfaces. It will also be necessary to rotate the Color Wheels in order to use the "open" position to access some parts of the Dimmer Wheel.
- Step 7. Replace Head Covers.



Replacing the Lamp

Parts:

71.2566.1200.0 1 EA LAMP, FASTFIT, PHILIPS MSR GOLD™

Tools:

Cotton gloves or finger cots



WARNING: Remove power from luminaire before performing any maintenance procedures.



CAUTION: Refer to "[Proper Lamp Servicing and Operation](#)" on page 59 before handling the lamp.

To replace lamp:

- Step 1. Remove power from lamp and allow lamp to cool for at least 5 minutes.
- Step 2. Remove power from luminaire.
- Step 3. At rear of luminaire, rotate backcap counter-clockwise to remove (it will still be connected by a tether). Refer to **Figure 4-8** on next page.
- Step 4. Remove existing lamp by rotating lamp base counter-clockwise and pulling straight out of backcap.
- Step 5. Position new lamp as shown in **Figure 4-8** DETAIL A and insert into rear bulkhead. Rotate 45 degrees clockwise to lock in place. You will hear a click when properly seated.
- Step 6. Replace backcap.
- Step 7. Reset Lamp Hours. (Refer to "[Lamp Screen](#)" on page 33.)
- Step 8. Optimize lamp. (Refer to "[Adjusting the Lamp](#)" on page 72.)



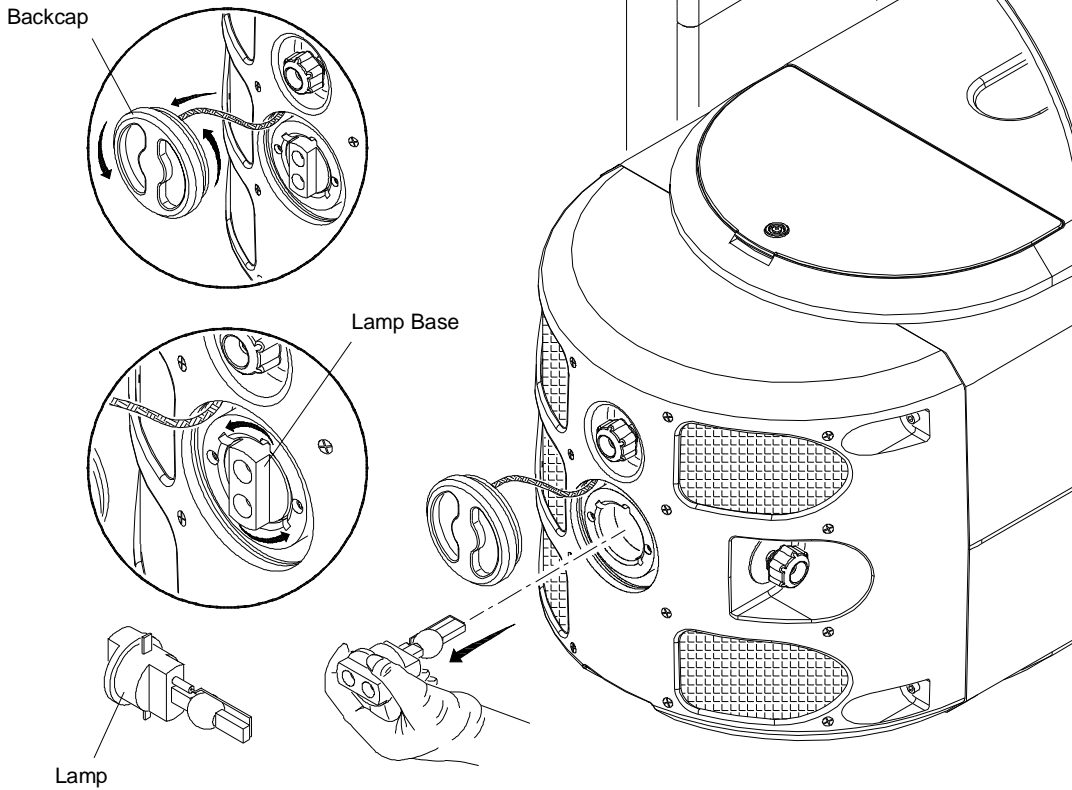
CAUTION: Wear cotton gloves or finger cots while servicing lamp. Touching the lamp glass with bare fingers will leave oil and cause the lamp to explode or burn out early. If touched, use alcohol to thoroughly clean glass.



CAUTION: Do not touch lamp or reflector with bare fingers.



CAUTION: Allow lamp to cool before servicing.



DETAIL A: LAMP ORIENTATION

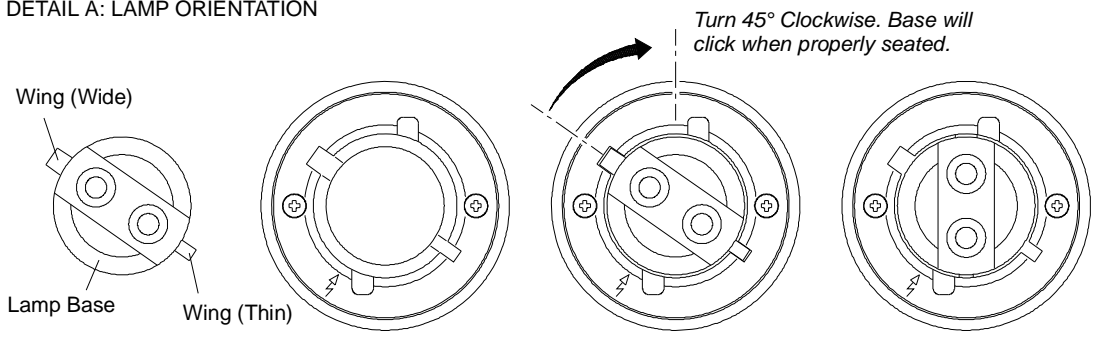


Figure 4-8: Replacing the Lamp

Adjusting the Lamp

After a new lamp is installed, it will be necessary to align the lamp in order to center and flatten the hot spot. Knobs located at the luminaire's backcap allow for adjustment.

Tools:
none



WARNING: Backcap may be HOT during lamp operation.

To adjust lamp:

- Step 1. Power up luminaire and allow to warm up for at least ten minutes.
- Step 2. Set intensity to 100%.
- Step 3. Position beam on a white wall at a distance of 10' to 20'.
- Step 4. Using control console, open beam size iris, set zoom for mid-range, and adjust for hard edge.
- Step 5. At backcap, using horizontal (X) and vertical (Y) knobs, adjust hot spot to center of beam (**Figure 4-9.**)
- Step 6. Using focus (Z) knob, adjust beam to flatten hot spot.

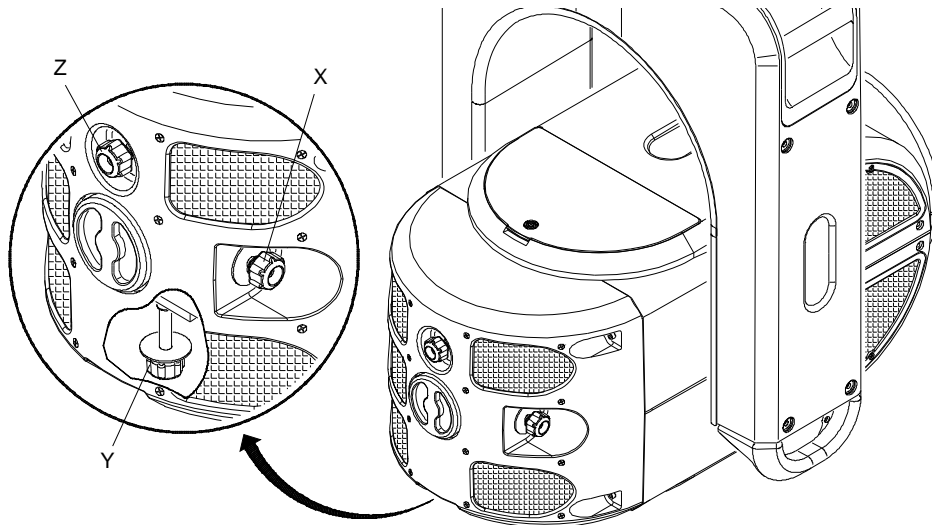


Figure 4-9: Adjusting the Lamp

Note: Be sure to reset Lamp Hours when installing a new lamp.

Replacing a Gobo

Parts:

Standard or Custom Gobo(s), as required.
(Refer to "[Standard Gobo Wheel Configuration](#)" on page 8.)

Tools:

#2 Phillips screwdriver
Cotton gloves or finger cots



WARNING: Remove power from luminaire before performing any maintenance procedures.

To replace a gobo:

- Step 1. Remove power from luminaire.
- Step 2. Locate appropriate head cover door for access to Rotating Gobo Wheel 1 (R1) or Rotating Gobo Wheel 2 (R2) as shown in **Figure 4-10**. (Doors are identified by a label.) Turn captive screw to open door.



CAUTION: Do not touch gobos with bare fingers. Wear cotton gloves or finger cots when handling.

- Step 3. Rotate wheel until desired gobo is accessible.
- Step 4. Rotate Color Wheels so that their "open" position lines up next to the gobo you wish to replace. (This will avoid potential damage to the adjacent wheels as the gobo is being replaced.)

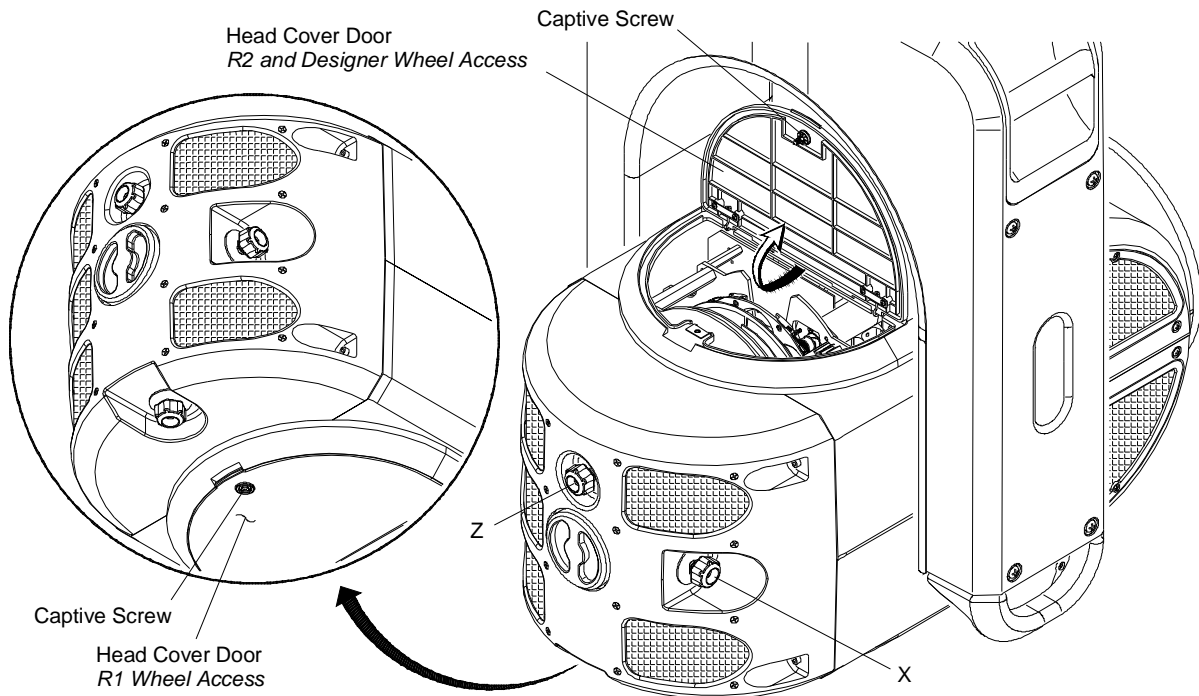


Figure 4-10: Accessing Gobo and Designer Color Wheels

Step 5. Using fingers, grasp frame of gobo and pull out of wheel (**Figure 4-11**).

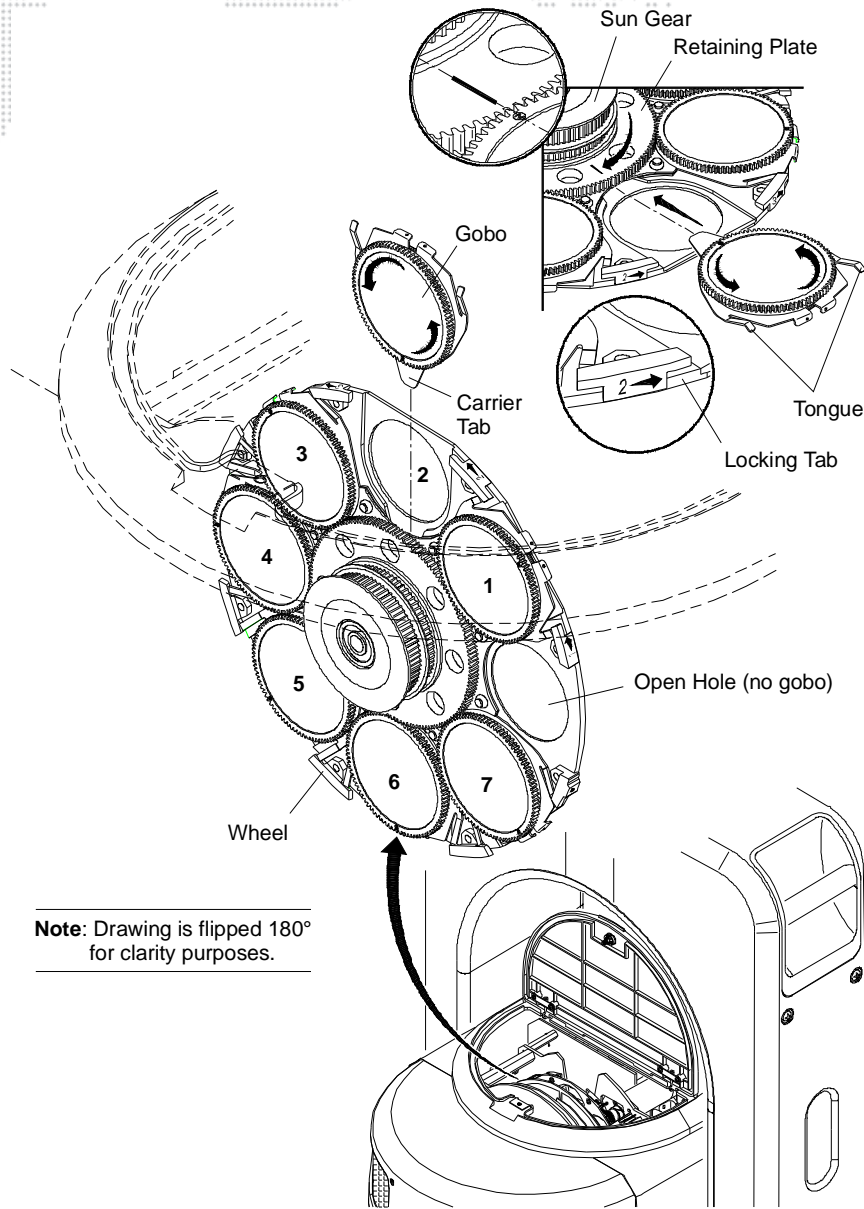
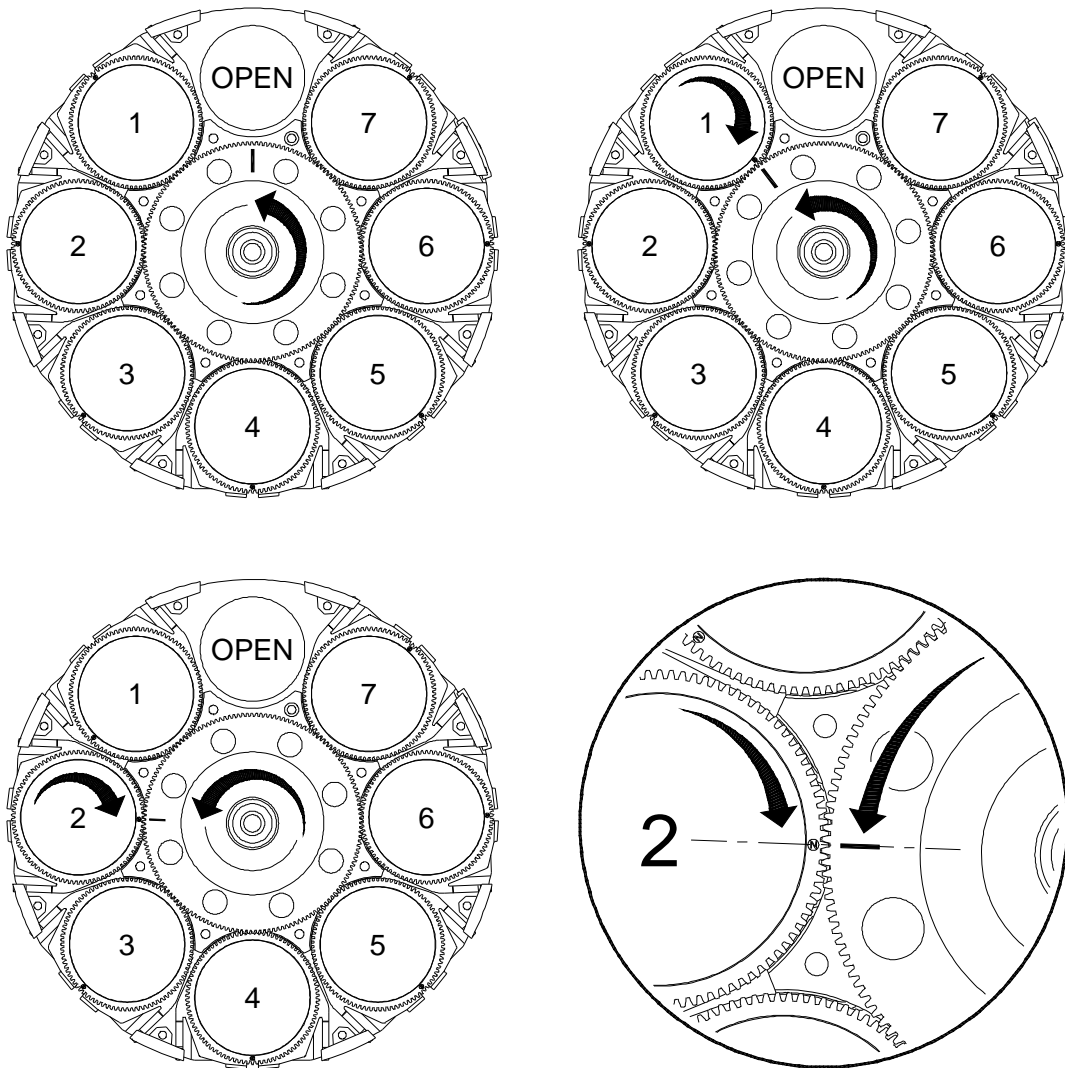


Figure 4-11: Replacing a Gobo

Step 6. Noting proper orientation, insert new gobo into wheel. Ensure that the "tongue" of the gobo clip goes under the retaining plate (under the sun gear). Press and gently rotate the gobo bearing to help mesh the gobo gear to the sun gear. Refer to **Figure 4-12** on next page for an overview of gobo positions and alignment.

Step 7. Close head cover access door.



CAUTION: The gobos must be seated properly, especially the gear mesh.

Figure 4-12: Gobo Positions and Alignment

Replacing a Designer Color Filter

Parts:

Designer Color Filter(s), as required.
(Refer to "[Designer Color Wheel Standard Configuration](#)" on page 7.)

Tools:

#2 Phillips screwdriver
Cotton gloves or finger cots



WARNING: Remove power from luminaire before performing any maintenance procedures.

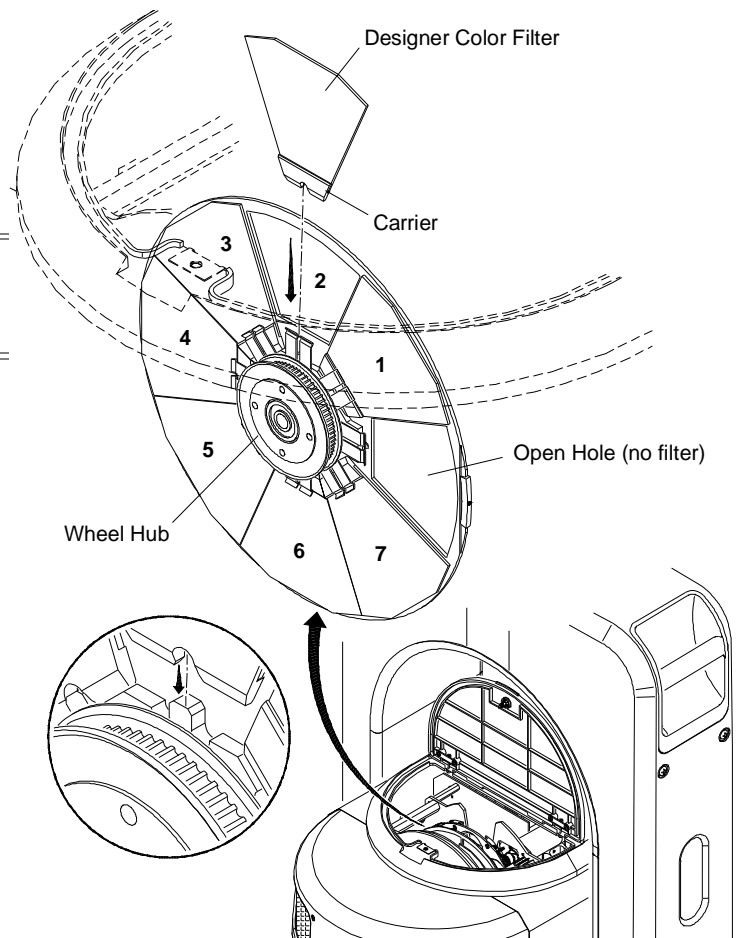
To replace a designer color filter:

- Step 1. Remove power from luminaire.
- Step 2. Locate appropriate head cover door for access to Designer Color Wheel as shown in [Figure 4-10](#) on [page 73](#). (Doors are identified by a label.) Turn captive screw to open door.



CAUTION: Do not touch color filters with bare fingers. Wear cotton gloves or finger cots when handling.

- Step 3. Rotate wheel until desired designer color filter is accessible.
- Step 4. Rotate Color and Gobo 2 Wheels so that their "open" position lines up next to the designer color filter you wish to replace. (This will avoid potential damage to the adjacent wheels as the filter is being replaced.)
- Step 5. Using fingers, grasp frame of color filter and pull out of wheel hub ([Figure 4-13](#)).
- Step 6. Noting proper orientation of carrier, insert new designer color filter into position and push until carrier clicks into place. Refer to [Figure 4-14](#) on next page for an overview of designer filter positions.
- Step 7. Close head cover access door.



Note: Drawing is flipped 180° for clarity purposes.

Figure 4-13: Removing Designer Color Filter

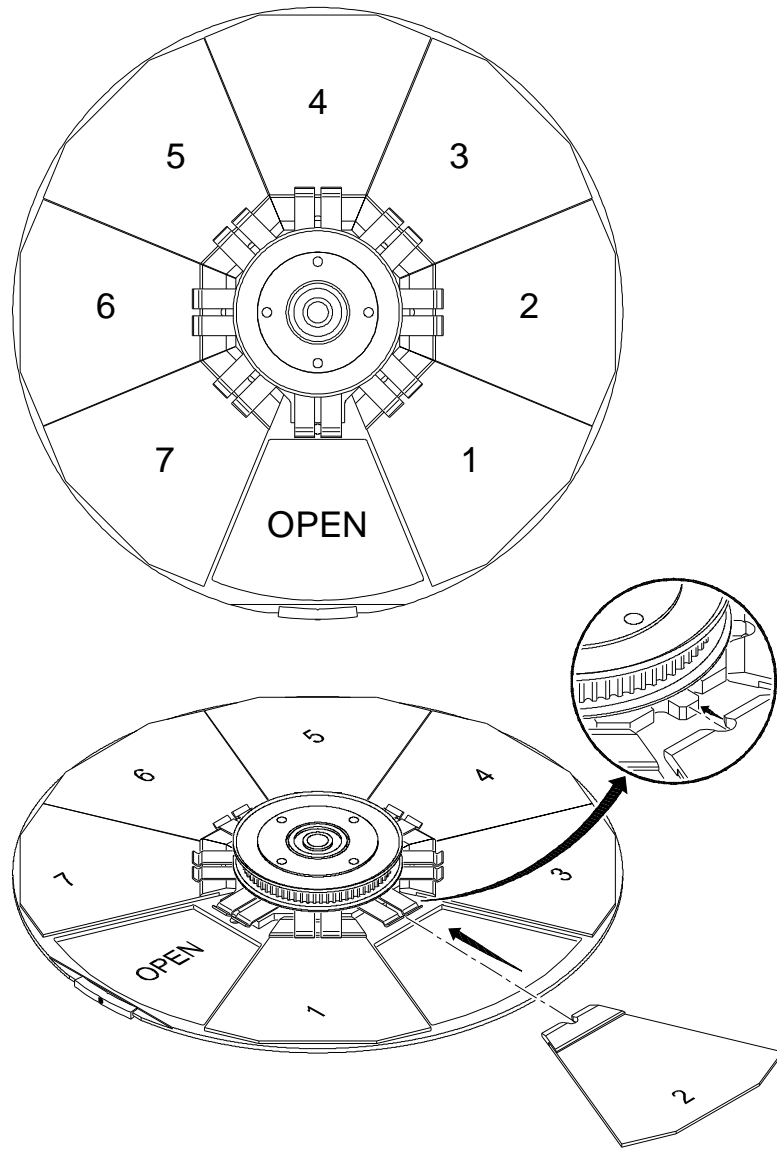


Figure 4-14: Installing Designer Color Filter



Notes



A.

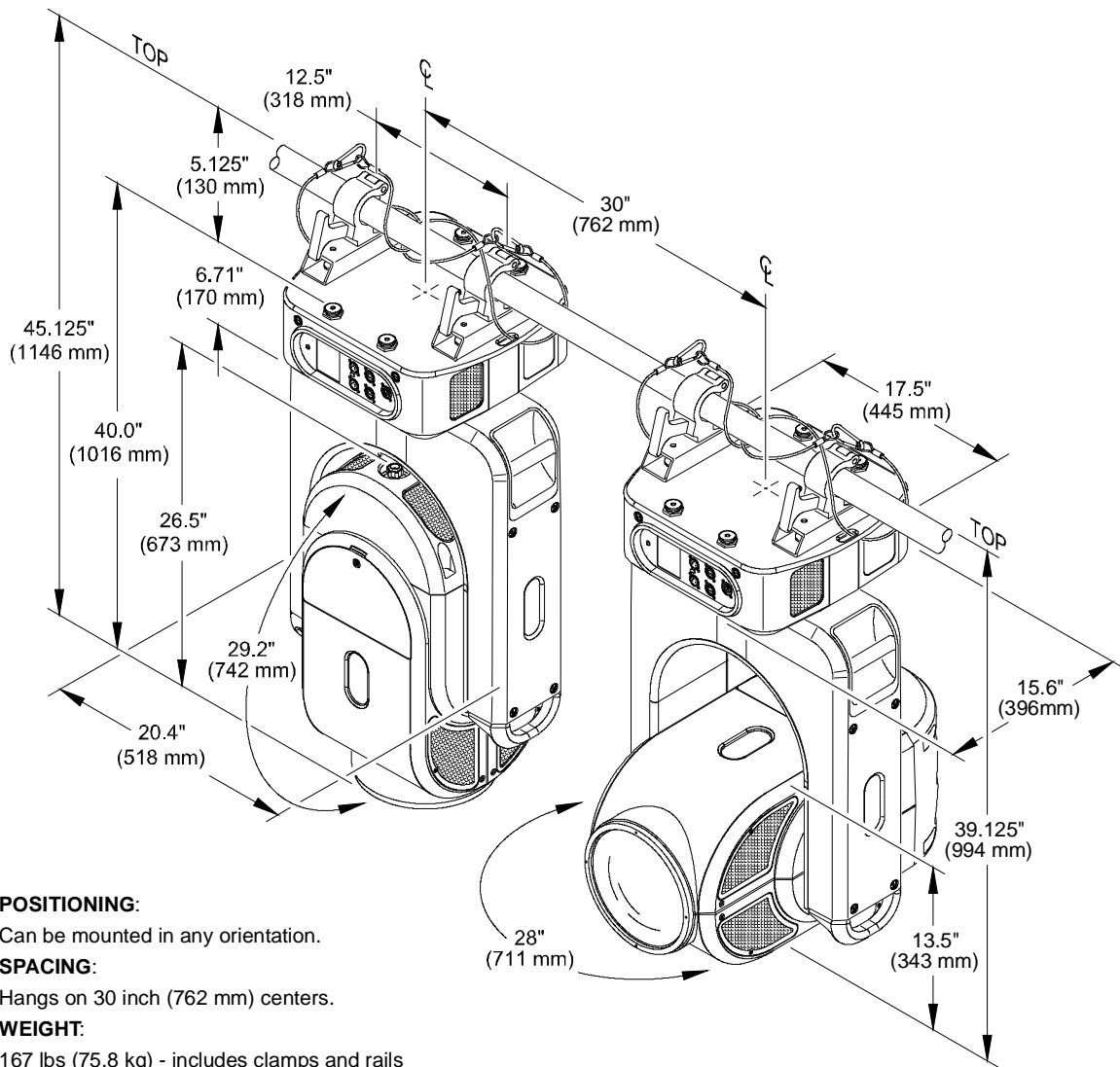
TECHNICAL SPECIFICATIONS

- + BAD BOY SPOT LUMINAIRE
- + BAD BOY ROAD CASE
- + AC LINE CURRENT / POWER VS. VOLTAGE
- + PHOTOMETRIC DATA



Bad Boy Spot Luminaire

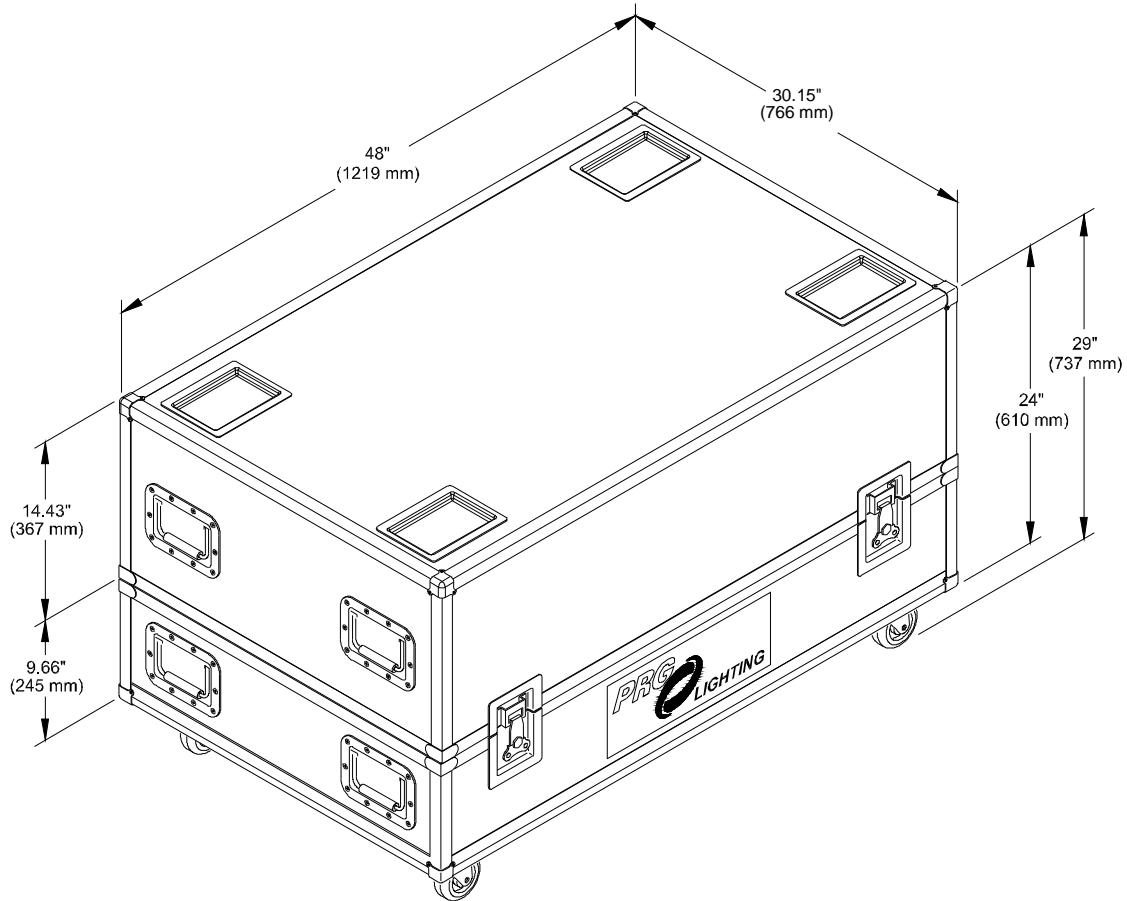
SOURCE:	Philips MSR Gold™ 1200W FastFit Lamp. Can be set to levels 900W, 1200W, or 1400W.
OUTPUT:	48,000 lumens
OPTICAL EFFICIENCY:	40%
REFLECTOR:	Precision glass reflector with dichroic cold mirror coating.
OPERATING TEMP:	-20° to 120°F (-29° to 49°C)
COOLING:	Forced air.
CONTROL:	Compatible with all PRG consoles and a wide variety of DMX512 and Art-Net consoles. An internal Ethernet switch allows for daisy-chaining fixtures.
POSITIONING:	Can be mounted and operated in any orientation.
SPACING:	Hangs on 30 inch (762 mm) centers.
WEIGHT:	167 lbs (75.8 kg) - includes clamps and rails
ON-BOARD CONTROL:	Built-in LCD display with touchscreen featuring menu system control.
ZOOM RANGE:	8:1 from narrow spot of 7° to wide flood of 56°.
ZOOM CONTROL:	Four (4) groups of lenses — each independently controlled for accuracy while maintaining focus during zoom changes
BEAM SIZE CONTROL:	In addition to the zoom optics, a mechanical iris provides continuous beam size control for both rapid changes and smooth timed beam angle changes.
EDGE CONTROL:	Maintains gobo focus and allows gobo morphing.
INTENSITY:	Full-field dimming from 0 to 100% with accurate slow-speed control and fast bumps.
STROBE:	Servo-powered, lightning fast strobe.
FROST:	Variable frost for smooth diffusion.
COLOR:	CMY color system featuring three (3) cross-fading color wheels (Cyan, Magenta, and Yellow), plus one (1) designer wheel with user-changeable color filters.
ROTATING GOBOS:	Two (2) indexable, rotating gobo wheels with seven (7) gobos per wheel. Gobos are individually calibrated so the unit will automatically index the orientation of each gobo regardless of placement.
PAN & TILT:	Three-phase, high-speed servo motors.
RANGE:	Pan - 540°, Tilt - 270°
MAX VELOCITY:	4.1 seconds for 540° of pan and 3.2 seconds for 270° of tilt.
ACCURACY:	0.2° resolution.
AC INPUT:	200-240 VAC, 50/60 Hz, 15A maximum



Bad Boy Road Case

EMPTY WEIGHT: 190 lbs (86.18 kg)

LOADED WEIGHT: 357 lbs (161.93 kg) - includes (1) one luminaire with clamps and rails





AC Line Current / Power vs. Voltage

TEST	VOLTS	FREQ	AMPS	VA	POWER	PF
1	170	50Hz	10.27	1746	1735	0.998
2	180	50Hz	9.62	1732	1721	0.995
3	200	50Hz	8.56	1712	1713	0.994
4	200	60Hz	8.57	1714	1709	0.996
5	210	60Hz	8.16	1714	1707	0.997
6	220	50Hz	7.77	1709	1704	0.991
7	230	50Hz	7.47	1718	1708	0.998
8	240	50Hz	7.14	1714	1705	0.993
9	240	60Hz	7.16	1718	1702	0.996
10	250	50Hz	6.83	1708	1704	0.992
11	260	50Hz	6.62	1721	1701	0.989
12	270	50Hz	6.45	1742	1689	0.966

Note:

- + Tested while running all motors except Intensity/Iris/Frost functions to allow ballast to remain stable at 1400W output to lamp.

Photometric Data

Refer to the charts on the following pages.

Narrow Zoom

Iris Full Open
8° Full Angle
40,000 beam Lumens

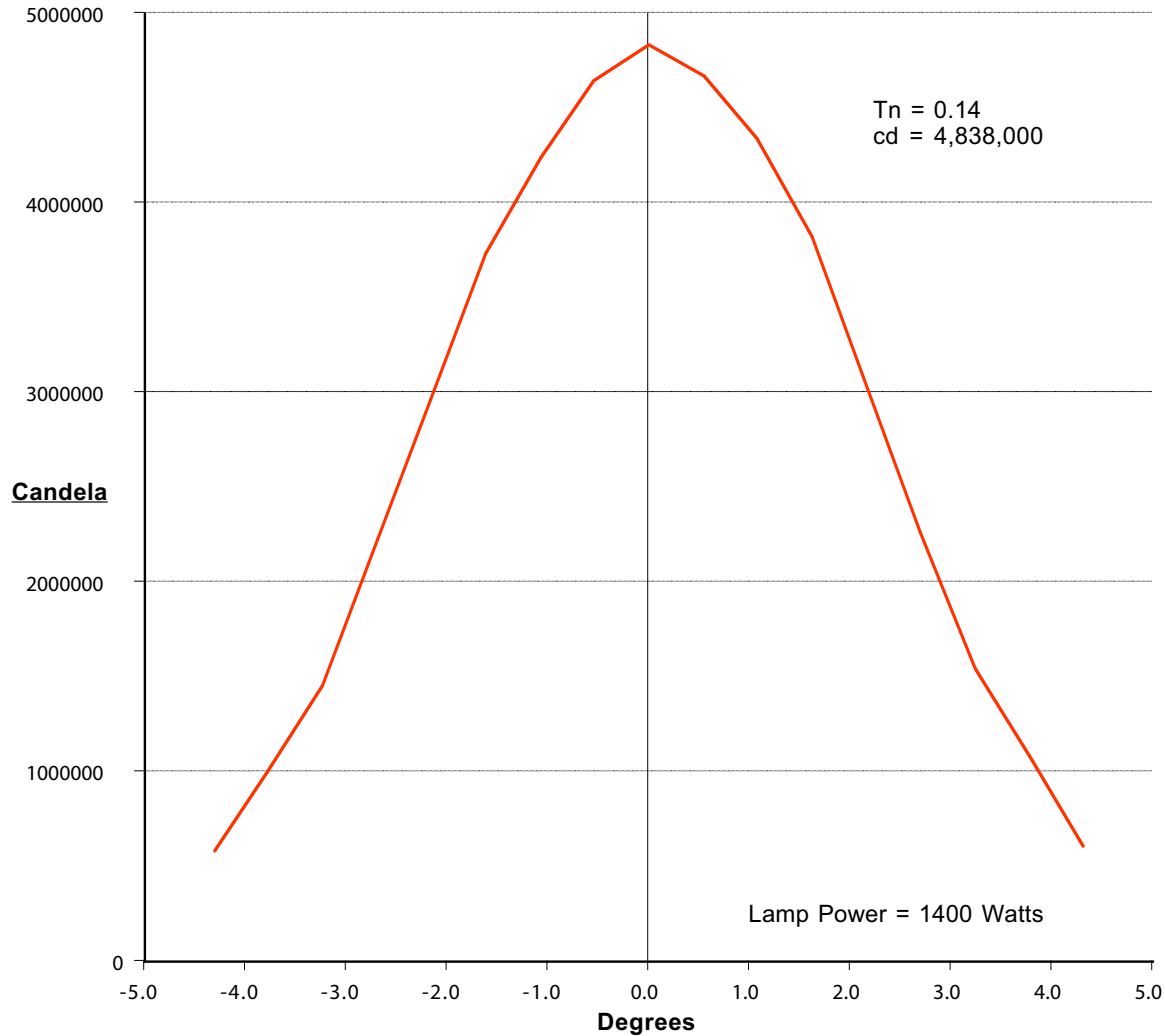
Throw Dist (Ft)	20	30	50	75	100
Beam Dia. (Ft)	2.8	4.2	7.0	10.5	14.0
Illuminance (fc)	12095	5376	1935	860	484
<hr/>					
Throw Dist (m)	5	10	20	25	30
Beam Dia. (m)	0.7	1.4	2.8	3.5	4.2
Illuminance (lux)	193520	48380	12095	7741	5376

Multiply throw distance by Tn to find beam diameter.

Divide cd (candela) by distance squared to find center beam illuminance.

Dist. in Ft. = foot candles

Dist. in meters = lux



Medium Zoom

Iris Full Open
 34° Full Angle
 48,000 beam Lumens

Throw Dist (Ft)	20	30	50	75	100
Beam Dia. (Ft)	12.2	18.3	30.6	45.9	61.1
Illuminance (fc)	850	378	136	60	34

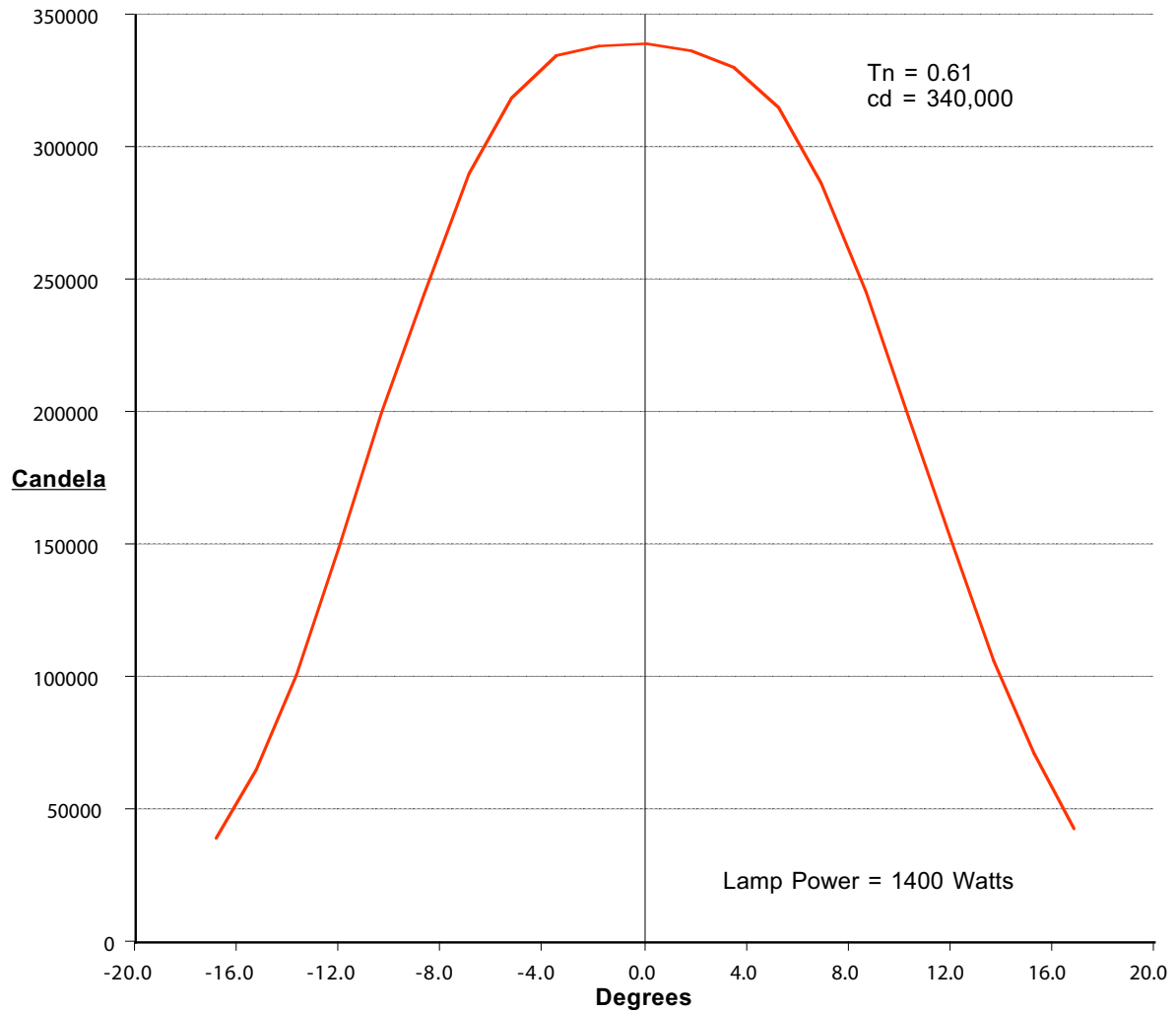
Throw Dist (m)	5	10	20	25	30
Beam Dia. (m)	3.1	6.1	12.2	15.3	18.3
Illuminance (lux)	13600	3400	850	544	378

Multiply throw distance by Tn to find beam diameter.

Divide cd (candela) by distance squared to find center beam illuminance.

Dist. in Ft. = foot candles

Dist. in meters = lux



Wide Zoom

Iris Full Open
56° Full Angle
50,000 beam Lumens

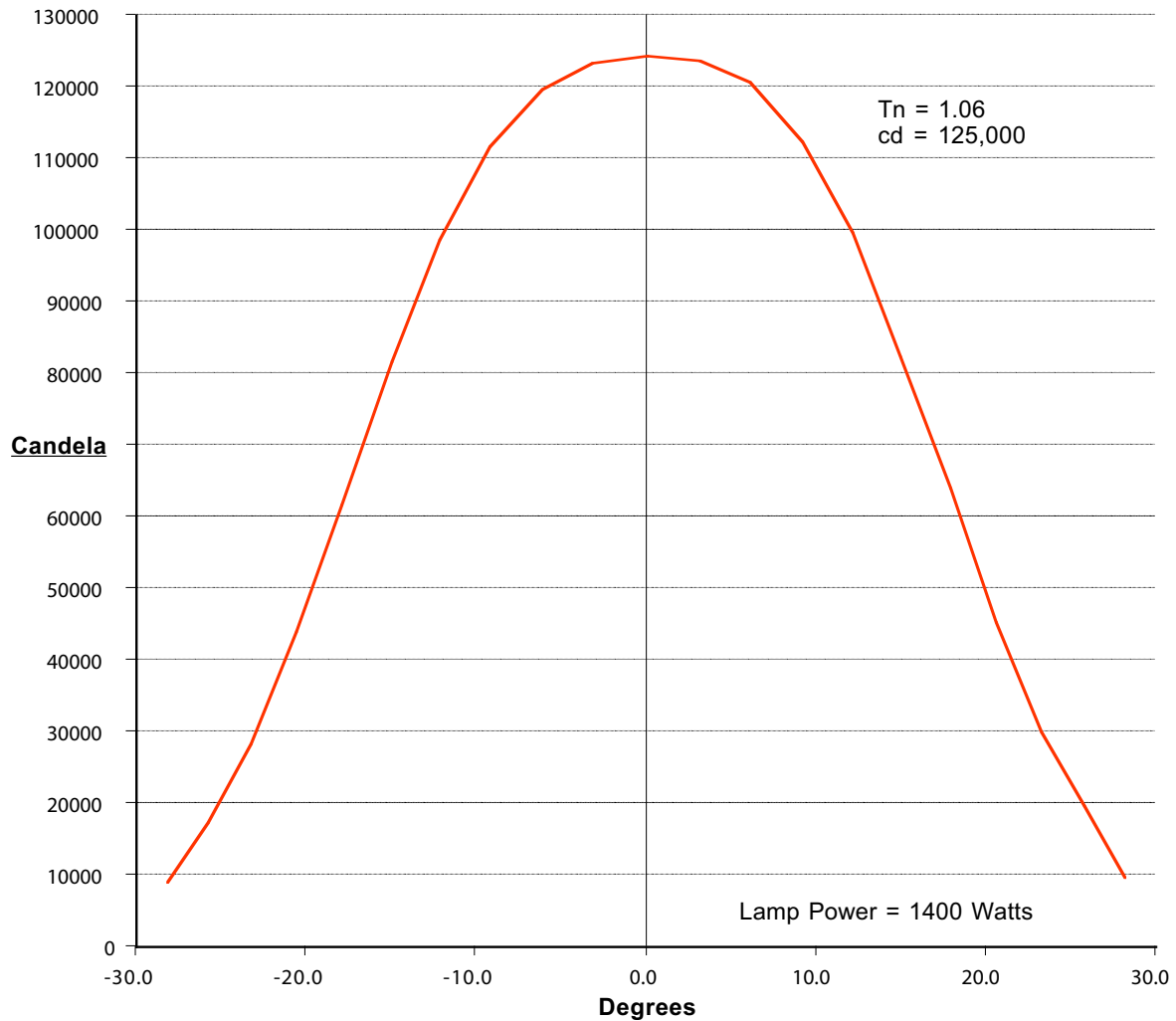
Throw Dist (Ft)	20	30	50	75	100
Beam Dia. (Ft)	21.3	31.9	53.2	79.7	106.3
Illuminance (fc)	312	139	50	22	12
<hr/>					
Throw Dist (m)	5	10	20	25	30
Beam Dia. (m)	5.3	10.6	21.3	26.6	31.9
Illuminance (lux)	5000	1250	312	200	139

Multiply throw distance by Tn to find beam diameter.

Divide cd (candela) by distance squared to find center beam illuminance.

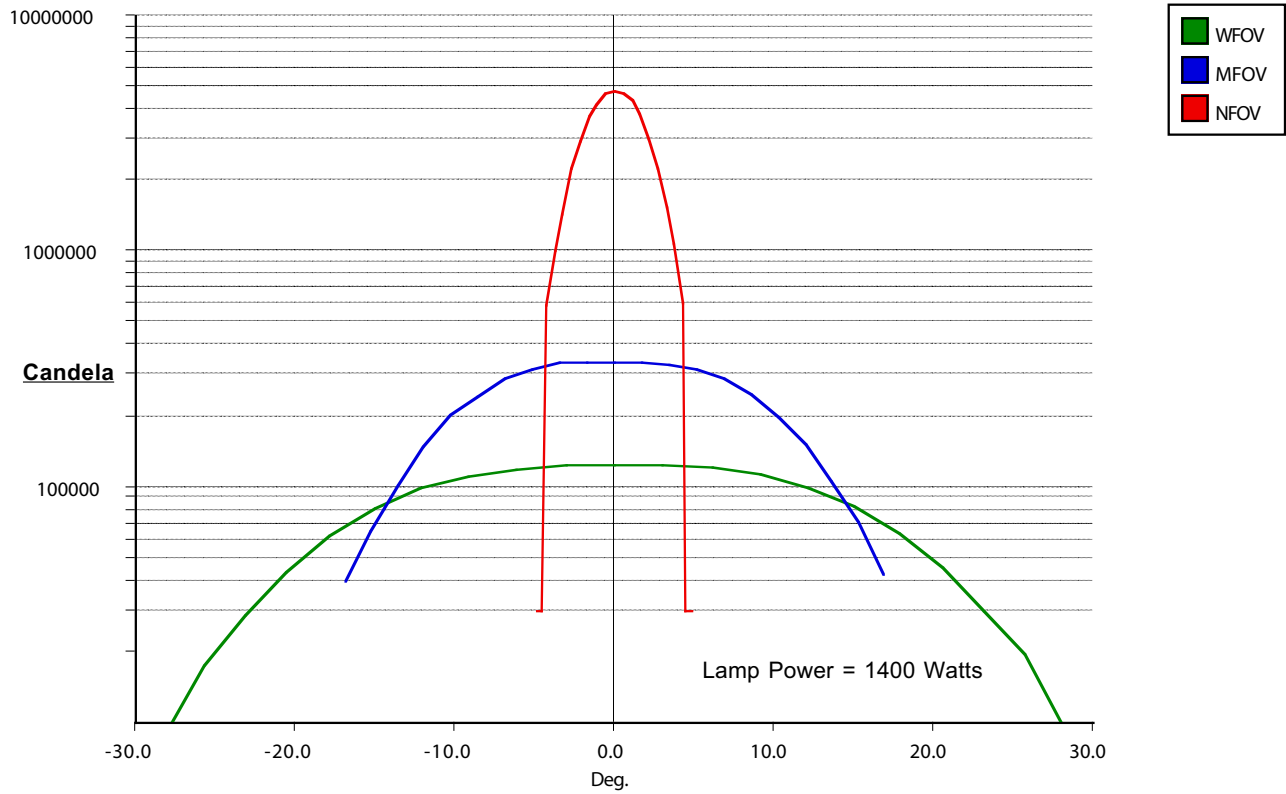
Dist. in Ft. = foot candles

Dist. in meters = lux



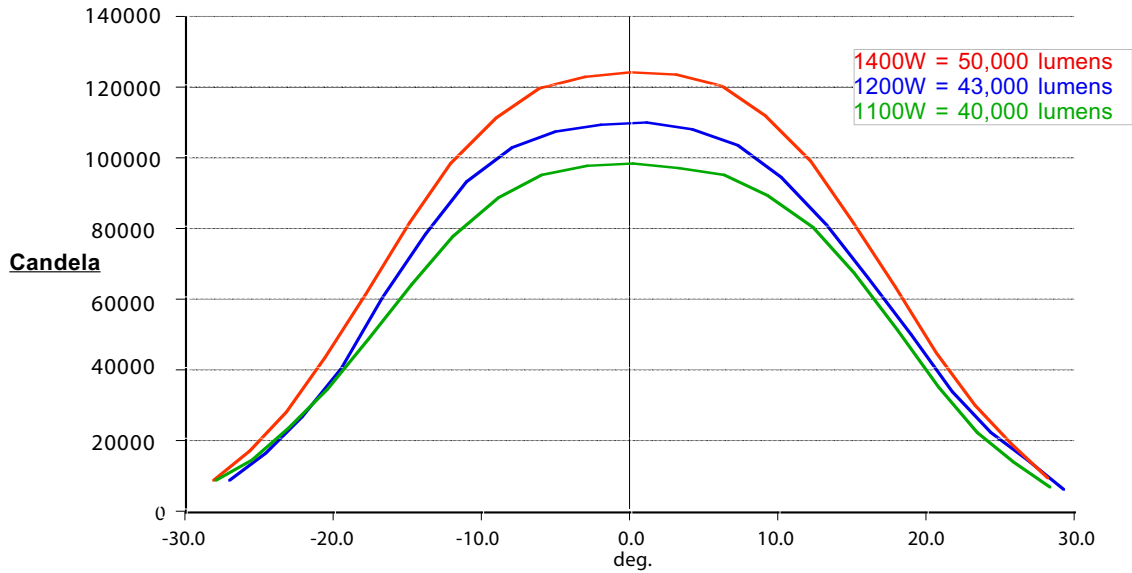
Logarithmic Beam Illuminance Comparison

8°, 34° and 56° Zoom settings.
(DMX Values 00000, 30192, & 57700)



Operation at Reduced Power

56° Zoom





Notes



B.

GLOSSARY

This glossary provides useful terms associated with operating Bad Boy Spot Luminaires.



Glossary of Terms

Address

A numerical "name" given to a device on a DMX512 line indicating which of 512 possible channels it will respond to.

Align (lamp)

The process of adjusting the lamp within the reflector to obtain the desired output quality of the beam.

Arc Lamp

A type of lamp which creates light by forming an arc of electricity. Brightness is achieved by including gasses and metals within the envelope of the lamp which dissolve and give off a bright light. Arc lamps must be dimmed mechanically because electrical dimming will extinguish the arc.

Art-Net

Protocol for sending DMX512 data over IP networks.

Attribute

An individual controllable aspect of a luminaire: pan, tilt, color, etc. Also known as "parameter."

Beam

- 1) The size, shape and sharpness of image of the light beam as projected on stage.
- 2) A function of the luminaire related to the size, shape, and sharpness of the light beam, specified by beam and edge data, and use of gobos (patterns) as required.

Channel

A control reference which collects a device's associated thumbwheel address(es) (device, lamp power, etc.) and maps them to a single selectable number. Channels are assigned via the patch setup. (Also referred to as a "Control Channel.")

Console Timing

Time value in seconds or minutes applied to an entire cue.

CMY

Abbreviation for "Cyan, Magenta, and Yellow."

Dimmer

Device used to control the relative output (or intensity) of an incandescent lamp.

DMX512

Digital multiplexing; an industry standard protocol. 8-bit protocol with a maximum of 256 steps of resolution per channel. Maximum of 512 controllable channels per DMX data stream.

DMX512 Cable

Industry standard cable consists of two twisted pair and a shield, and 5-pin XLR style connectors.

The pin out is: pin 1 = common (shield), pin 2 = data -, pin 3 = data +.

The second pair (pins 4 & 5) may be used for a secondary data link.

DMX512 Universe

A group of up to 512 DMX channels. Consoles may have more than one universe, usually labeled in groups of 512.

Douse

To de-energize a luminaire lamp. (Douse is unrelated to intensity states.)

Ethernet

Networking technology used to connect local area networks (LANs) via CAT5 cable or wireless.



Fixture Orientation

Based on the direction the pigtail points as it exits the fixture.

Flipped Focus

When one or more fixtures inadvertently move differently from others in the system.

Focus

The point to which the light beam is directed. Also, a function of the luminaire related to the direction of the beam as specified by pan and/or tilt data.

Follow Spot

When the luminaire is manually moved using the optional follow spot handles and pan/tilt Free mode in order to function as a spot light.

Gobo

A pattern (template) used to create backgrounds or texture when projected on to scenery or cycloramas, or to create the illusion of natural elements such as fire, windows or tree leaves.

Hard Reset

Restarts luminaires and reloads operating system and cue data.

Home Position

Pan and Tilt values at 50%. Also called "Zero Position" or a "50/50" cue or group.

Indexing

A function of a rotating gobo mechanism.

Intensity

A value placed on the relative brightness of a lighting fixture; 100% is considered "full," and 0% is considered "out."

Iris

A motor controlled mechanism which is used to adjust the beam diameter.

Lamp

Light source consisting of filament or electrodes, base, and envelope or "bulb."

Luminaire Calibration

The process of a luminaire finding its end stops for all parameters.

Palette

Term for groups of groups; i.e. all the color groups would be considered the Color Palette, all the beam groups would be the Beam Palette, etc.

Pan

The movement of the luminaire around the axis of the yoke.

Parameter

An individual controllable aspect of a luminaire: pan, tilt, color, etc. Also known as "Attribute."

Part Cue

Basically a "cue within a cue." A portion of a cue with a time applied that is different than the cue time.

Patch

The act of assigning a DMX512 channel to a control channel on a console.

Reply

Digital data signals transmitted from each luminaire to the console. Only one luminaire may transmit at a time, in response to a request from the console.



Signal

Control protocol from a lighting console or interface.

Show File

A file containing all programmed cue data.

Splitter (Isolator)

Device used to optically isolate and split a DMX512 signal. *Note: A DMX "two-fer" cannot be used to divide a signal.*

Start

To energize a luminaire arc lamp (applies to arc-lamp luminaires only).

Strobe

A special lighting effect which produces multiple rapid bursts of high intensity light.

Terminate/Termination

Termination refers to the dampening of DMX signal at the end of the transmission line. Termination is created by placing a 100 ohm resistor between pins 2 and 3 of the DMX line. Often, there is a switch on DMX devices to do this internally. If not, a terminator is provided in the form of an XLR connector with the proper resistor between pins 2 and 3 to be placed in the DMX Thru port on the device.

Tilt

The movement of the luminaire around the axis of the tilt tube.

Time

Control of the duration of the change of the variable parameters of some automated luminaires and other devices in a lighting system.

Timing Channel

A Timing Channel is used in lieu of cue fade rate to determine the time it will take a luminaire to move from one setting to another. For example, a cue in which a luminaire pans from one side of stage to the other may look "steppy" if cue fade rate is used, because of the nature of the DMX512 signal. To overcome this, a timing channel allows the luminaire to calculate the move "in time," effectively smoothing out the movement.

Zero Position

Pan and Tilt values at 50%. Also called "Home Position" or a "50/50" cue or group.

Zoom Table

Allows the fixture to maintain sharp focus on an image throughout the zoom range. (Note that zoom tables are sensitive to throw distance. For this reason, a variety of zoom table versions are available for use with different throws.)

8-Bit DMX

The universally accepted lighting control protocol in the entertainment industry. A console uses this protocol to control specific devices in a lighting system. A DMX512 channel packet is eight bits of absolute parameter data. 8-bit refers to the resolution of the signal: 256 step resolution, providing channel values from 0 through 255. A DMX512 data packet is a group of 512 data channels.

16-Bit DMX

To smooth out the movement of automated luminaires, the industry has adopted 16-bit DMX. This is not a change to the DMX512 specification, rather a change in the way luminaires and consoles treat DMX512 information. In practice, 16-bit DMX adds a DMX512 channel each to pan and tilt - pan coarse, pan fine, tilt coarse, tilt fine, instead of just pan and tilt. The console and luminaire combine these levels and increase the resolution of pan and tilt from 256 steps to a theoretical maximum 65,536 steps at the console level, resulting in the ability to position the luminaire more accurately.



Bad Boy® Spot Luminaire User Manual

Version as of: March 23, 2015

PRG part number: 02.9812.0001 H



Production Resource Group, LLC
Dallas Office
8617 Ambassador Row, Suite 120
Dallas, Texas 75247
www.prg.com