



## PRG Hoist Pick-up Bar

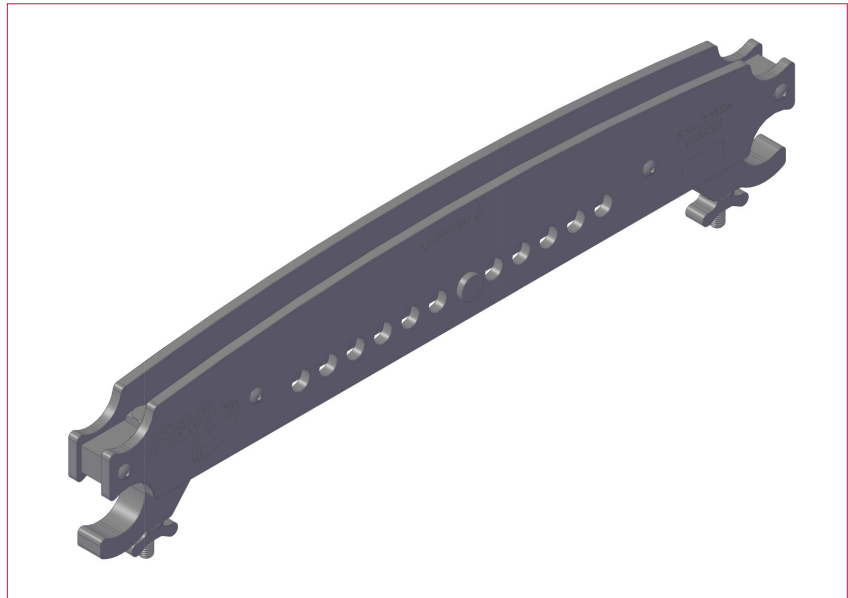
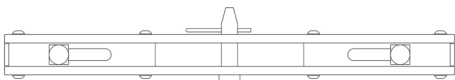
The PRG Hoist Pick-up Bar, designed specifically for the demands of the concert touring industry, is the only purpose-built solution for mounting a chain hoist inside of truss. This allows for pre-rigging of most hoists, up to 1-ton capacity, inside the truss while prepping in the shop. Using the PRG Hoist Pick-up Bar means the pre-rigged hoists travel inside the truss, which expedites time on site during load-ins and load-outs as well as tightening the truck pack.

A key feature of the design is that the entire clamp system of the Pick-up Bar, when attached, is entirely inside the footprint of the truss. A benefit of placing the hoist inside the truss allows designers to raise the truss structure itself higher since the hoist is no longer above it. The PRG Hoist Pick-up Bar means sleeker looking rigs, faster load-ins and load-outs and less truck space needed.

The PRG Hoist Pick-up Bar is fabricated of aluminum and is available in three standard truss sizes—20.5-inch, 24-inch and 30-inch. Designed to work easily with the most common standard box truss dimensions as well as with both sizes of the PRG BAT® Truss. All of the PRG Hoist Pick-up Bars handle up to 1-ton capacity chain hoists and are designed to mount as close as possible to truss panel points. The three models of the PRG Hoist Pick-up Bars all have a S.W.L. of 2,200 lbs (1,000 kg)\*.

\* Please note that the S.W.L. does not necessarily mean that the truss the Hoist Pick-up Bar is attached to is rated for that additional load.

**Designed so clamps fit entirely inside truss footprint on all three standard sizes of truss and both PRG BAT truss sizes.**

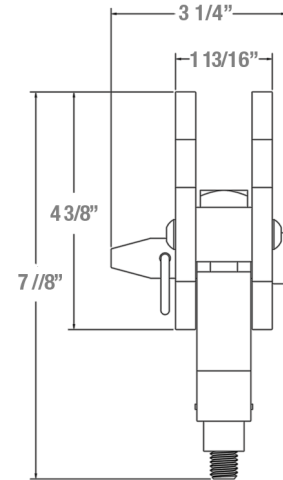
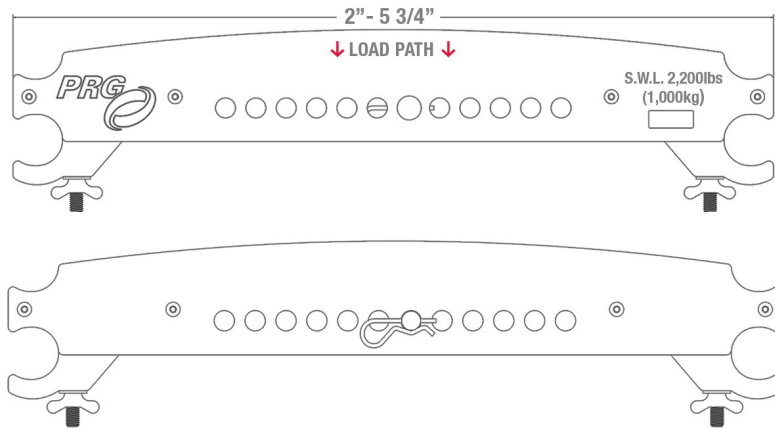


### Features

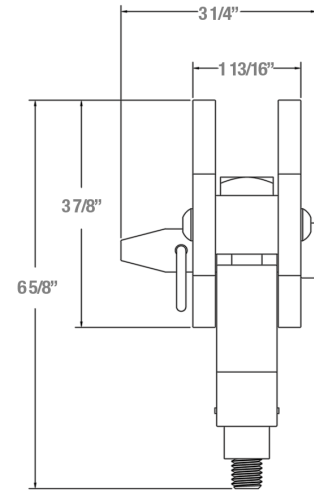
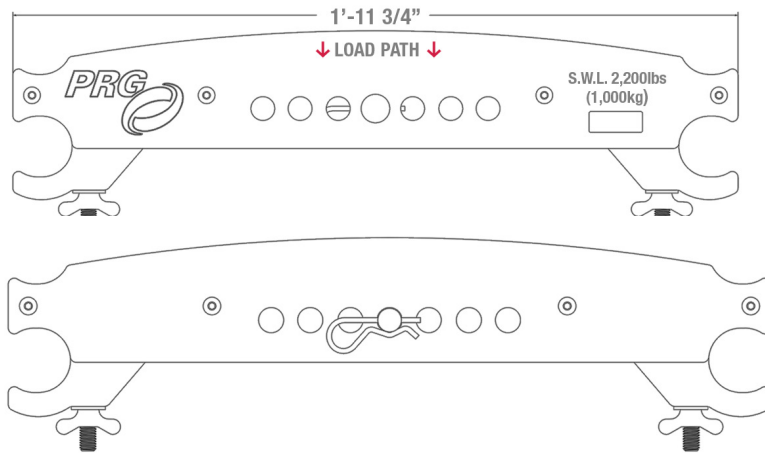
- **ALLOWS FOR PRE-RIGGING OF CHAIN HOISTS AT THE SHOP**
- **ALL CLAMPS REMAIN INSIDE THE TRUSS FOOTPRINT**
- **EXPEDITES THE LOAD-IN AND LOAD-OUT PROCESSES**
- **MOST CHAIN HOISTS CAN TRAVEL INSIDE THE TRUSS**
- **TIGHTENS UP THE TRUCK PACK**
- **AVAILABLE IN THREE STANDARD TRUSS SIZES — 20.5-INCH, 24-INCH AND 30-INCH**
- **COMPATIBLE WITH STANDARD SIZES OF TRUSS AND BOTH THE 24-INCH AND 30-INCH PRG BAT TRUSS**
- **HANDLES UP TO A 1-TON CHAIN HOIST**
- **S.W.L. OF 2,200 LBS (1,000 KG)**
- **THE ONLY PURPOSE-BUILT SOLUTION**
- **DESIGNED SPECIFICALLY FOR THE CONCERT TOURING INDUSTRY**
- **THE 20.5-INCH MODEL WEIGHS 8 LBS (3.6 KG)**
- **THE 24-INCH MODEL WEIGHS 9 LBS (4.1 KG)**
- **THE 30-INCH MODEL WEIGHS 11 LBS (5 KG)**

# PRG Hoist Pick-up Bar Dimensions

## 30" Bar Dimensions



## 24" Bar Dimensions



## 20.5" Bar Dimensions

